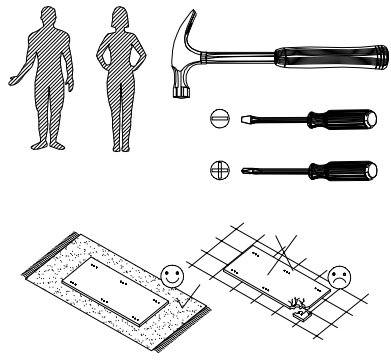
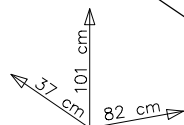
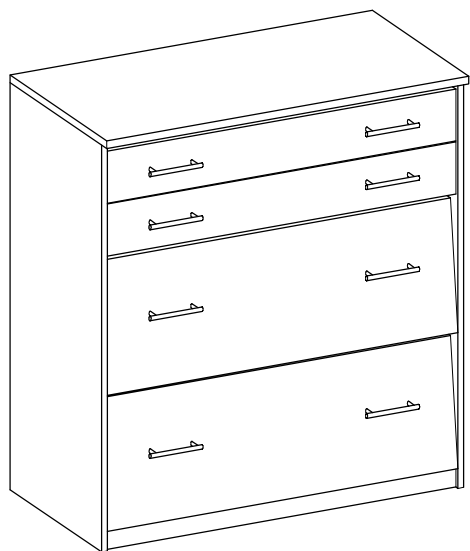
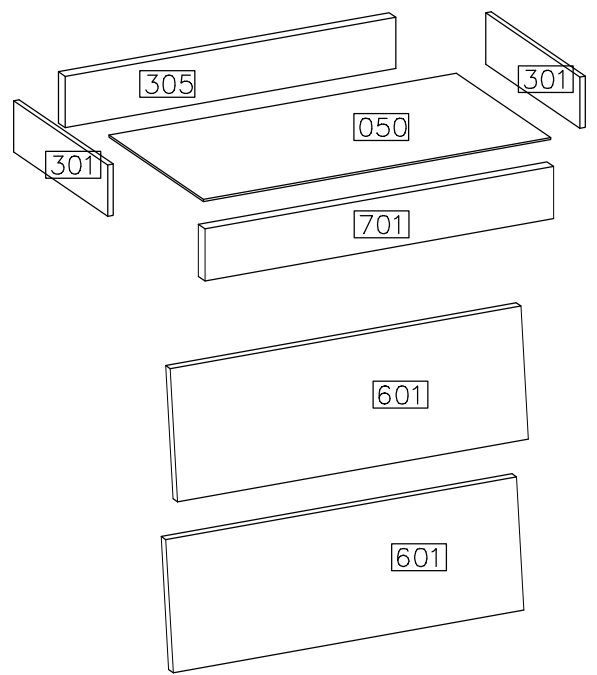
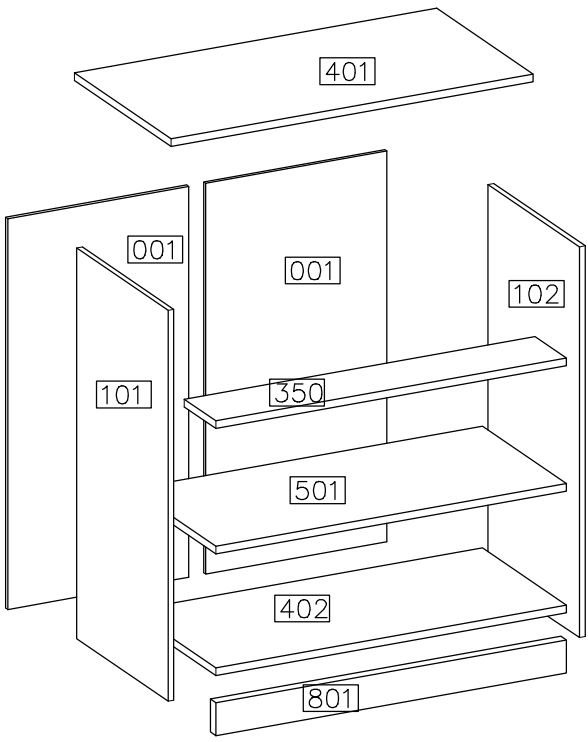


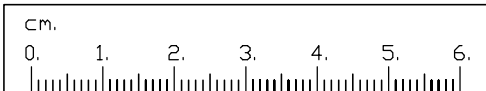
SZAFKA NA BUTY 2



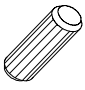

#	ART. NR	QUANTITY
1	401	1
2	402	1
3	501	1
4	101	1
5	102	1
6	350	1
7	801	1
8	001	2
9	601	2
10	701	2
11	301	4
12	305	2
13	050	2

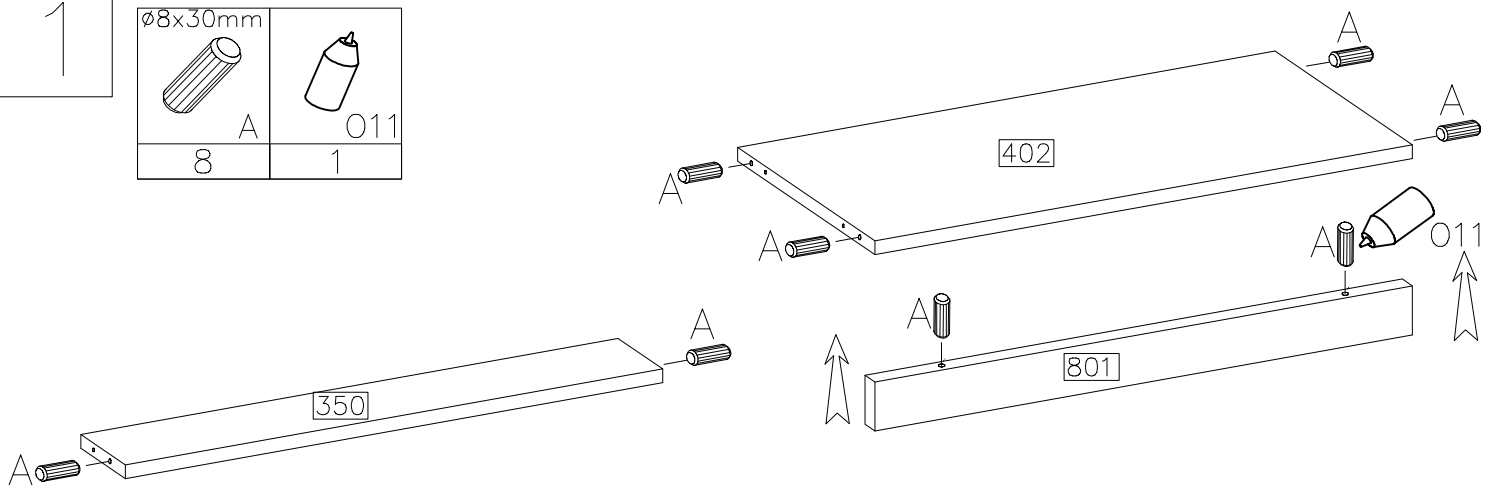


$\varnothing 8 \times 30 \text{mm}$ A	 B	 O	 F9	 S1	 PR	 E1
32	6	1	4	8	2KPL	6
 F10	 O11	 J4	 Z1	 R2	 P2	 P1
60	1	6	1	16	8	8

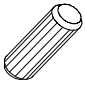






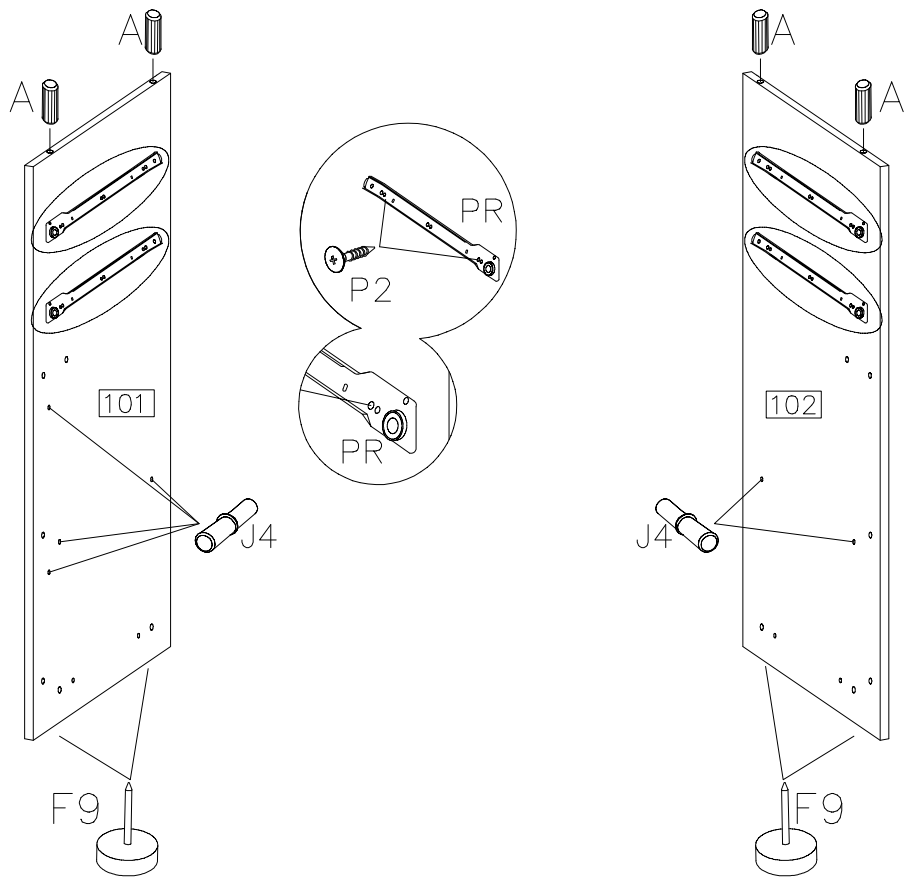
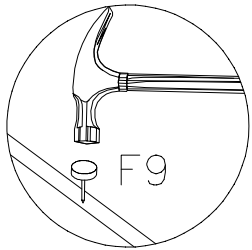
1

∅8x30mm		
	A	O11
	8	1

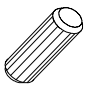




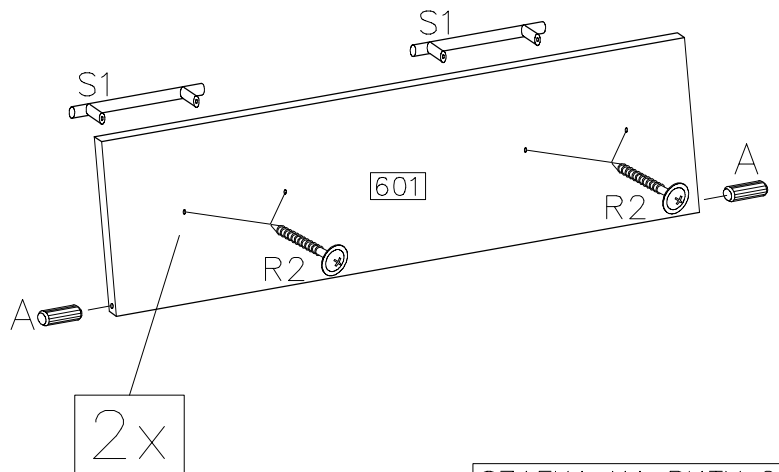
2

∅8x30mm		
	A	J4
	4	6
	F9	
	4	2KPL
3.5x13mm		
	P2	
	8	





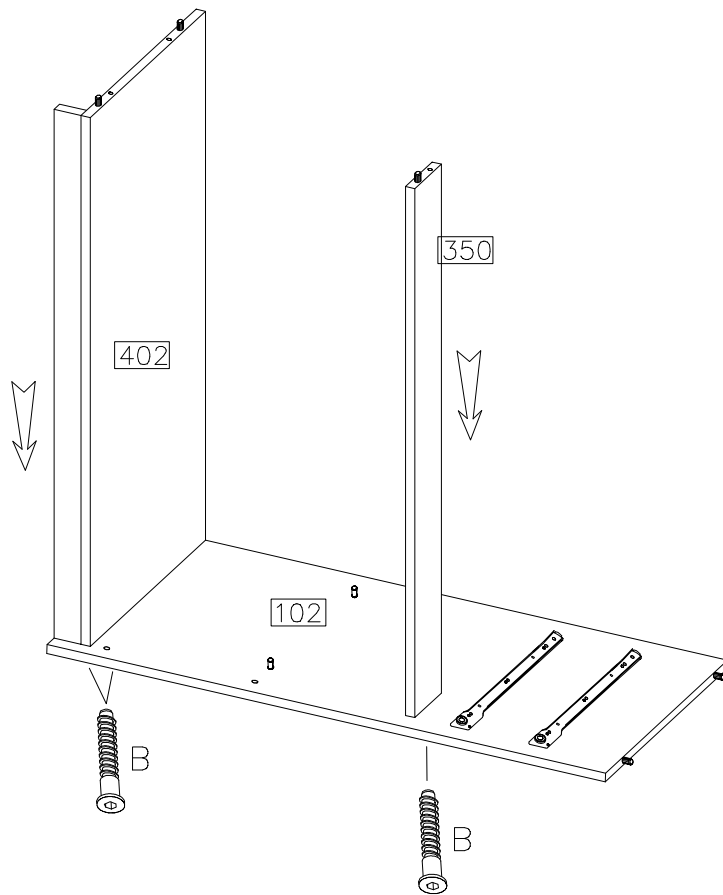
3

∅8x30mm			
	A	S1	R2
	4	4	8






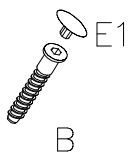
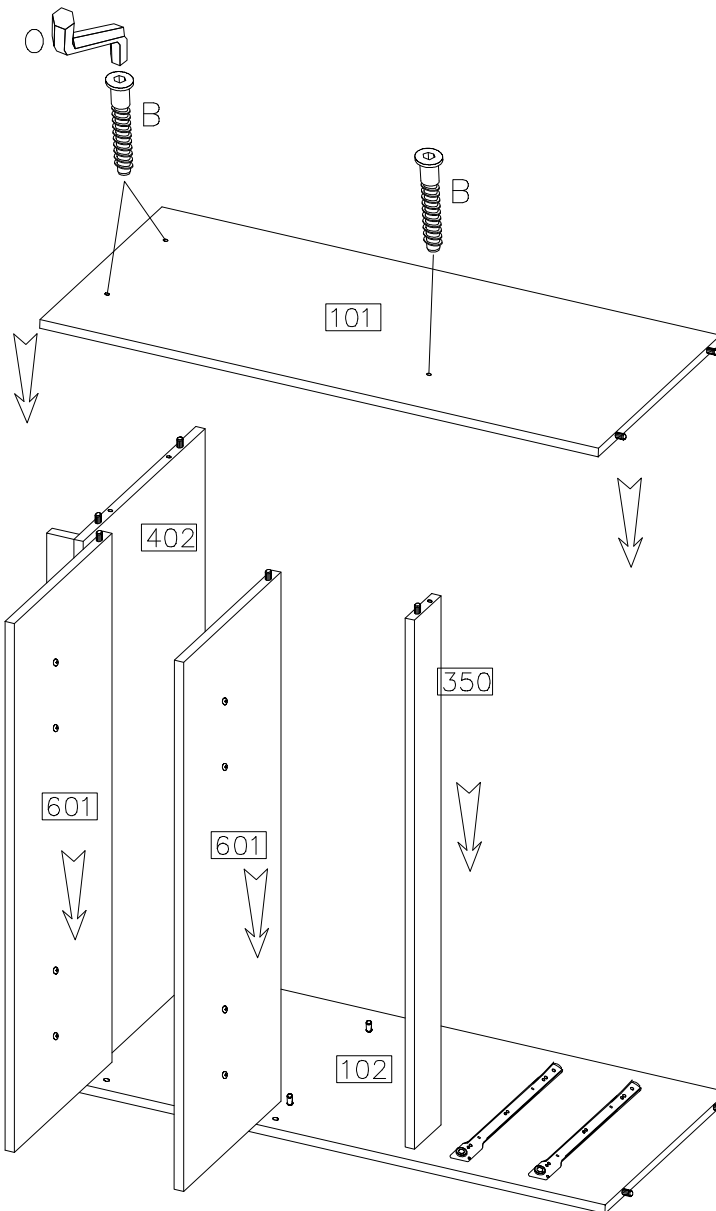
4

	
B	O
3	1

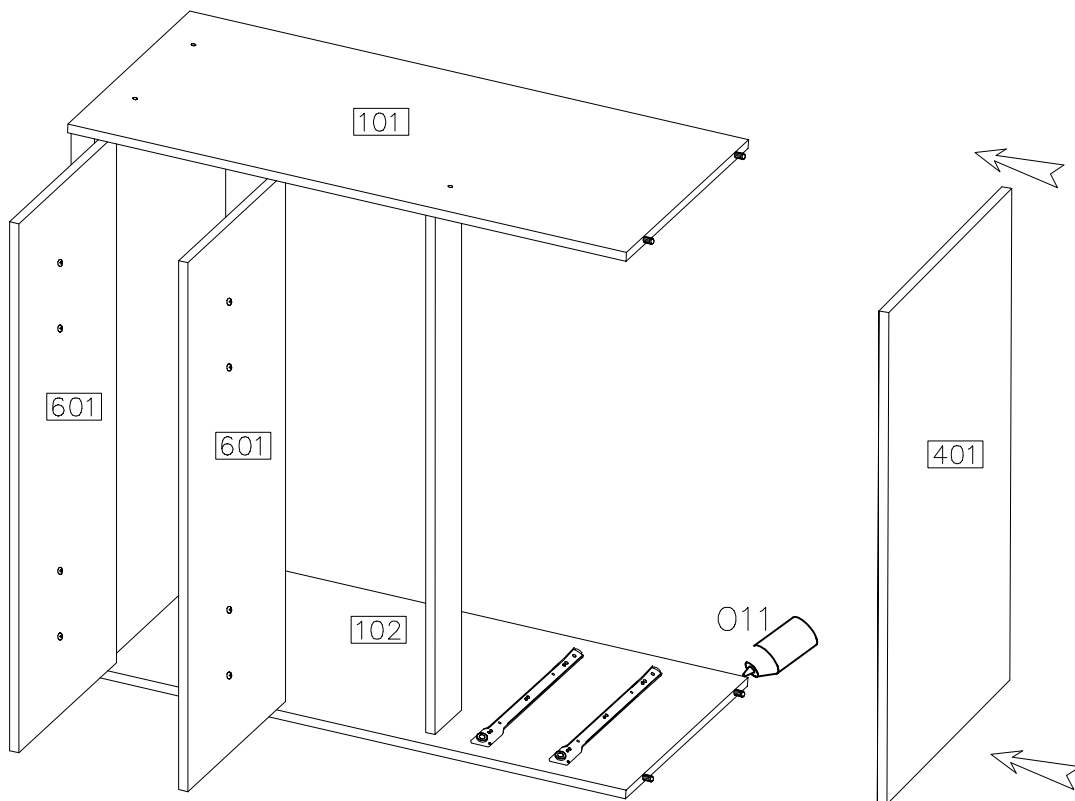
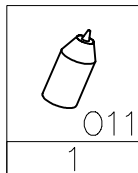


5

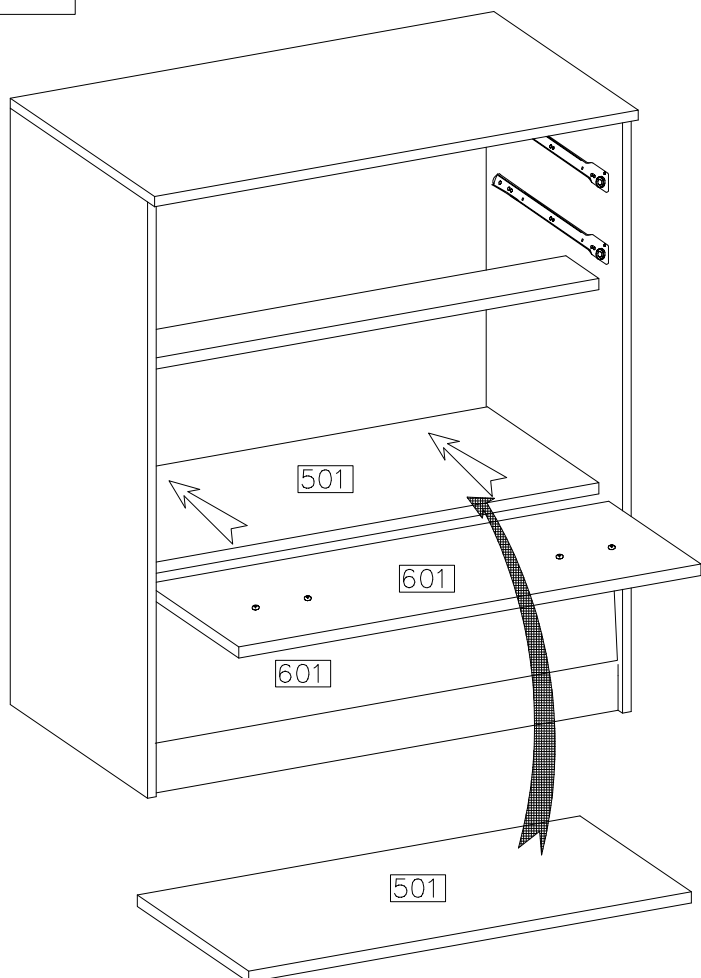
	
B	O
3	1
	
E1	
6	



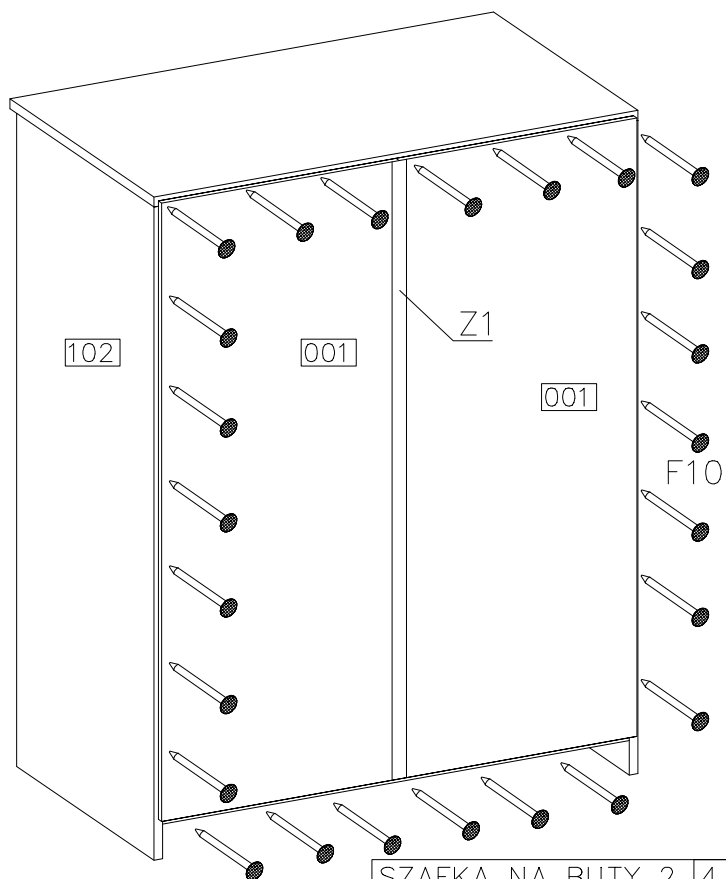
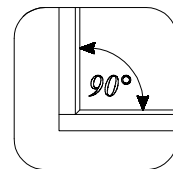
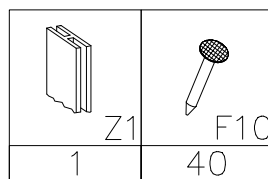
6




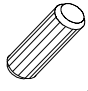
7



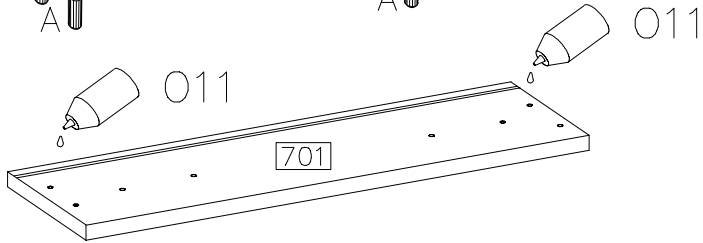
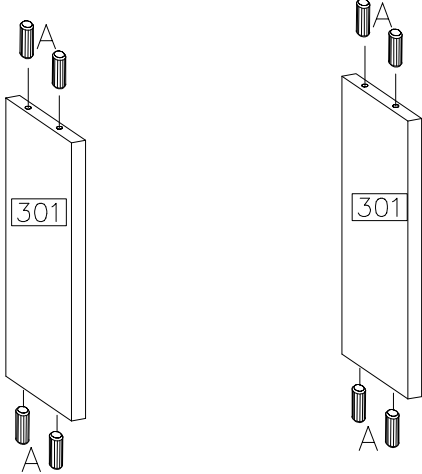
8





9

	Ø8x30mm 
011 1	A 16

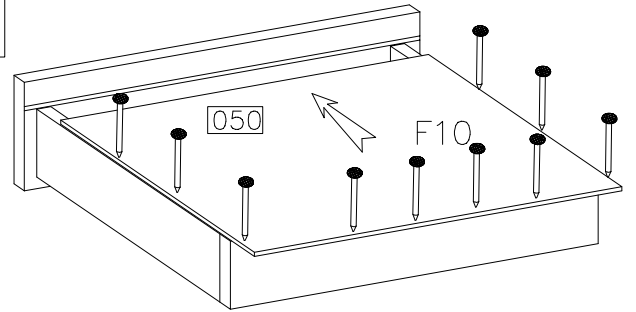
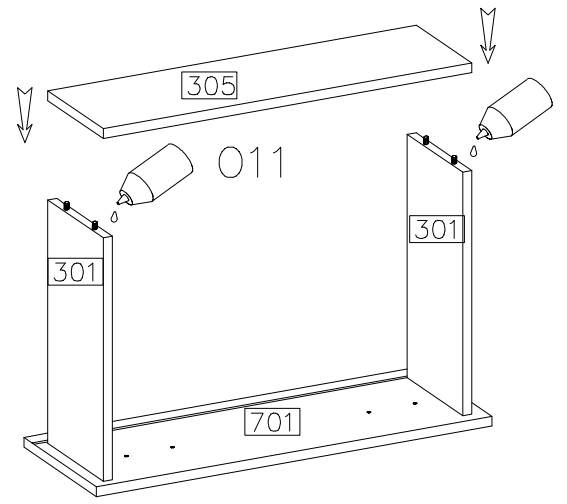
2x





10

	F10 20
	011 1

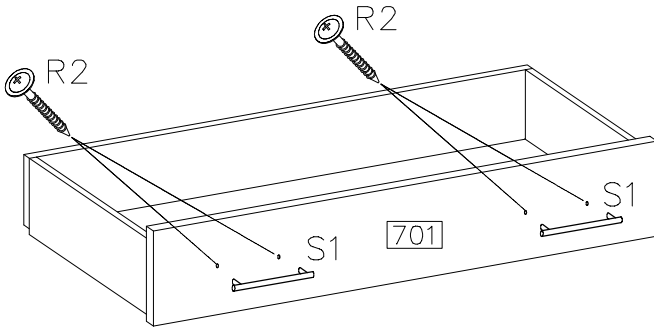
2x



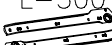

11

	4.0x27mm 
S1 4	R2 8

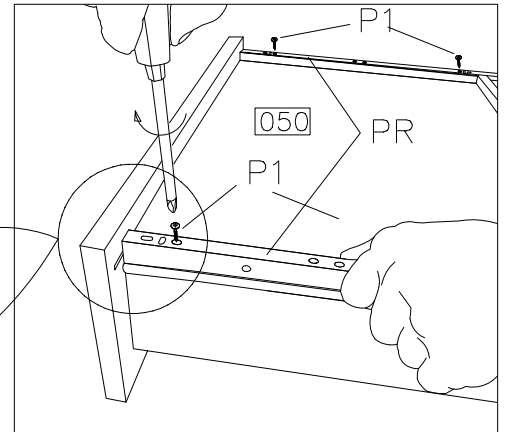
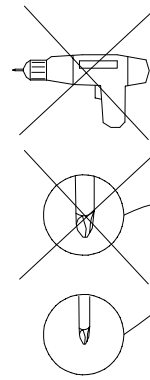
2x



12

L-300 	Ø4.0x16mm 
PR 2KPL	P1 8

2x



13

