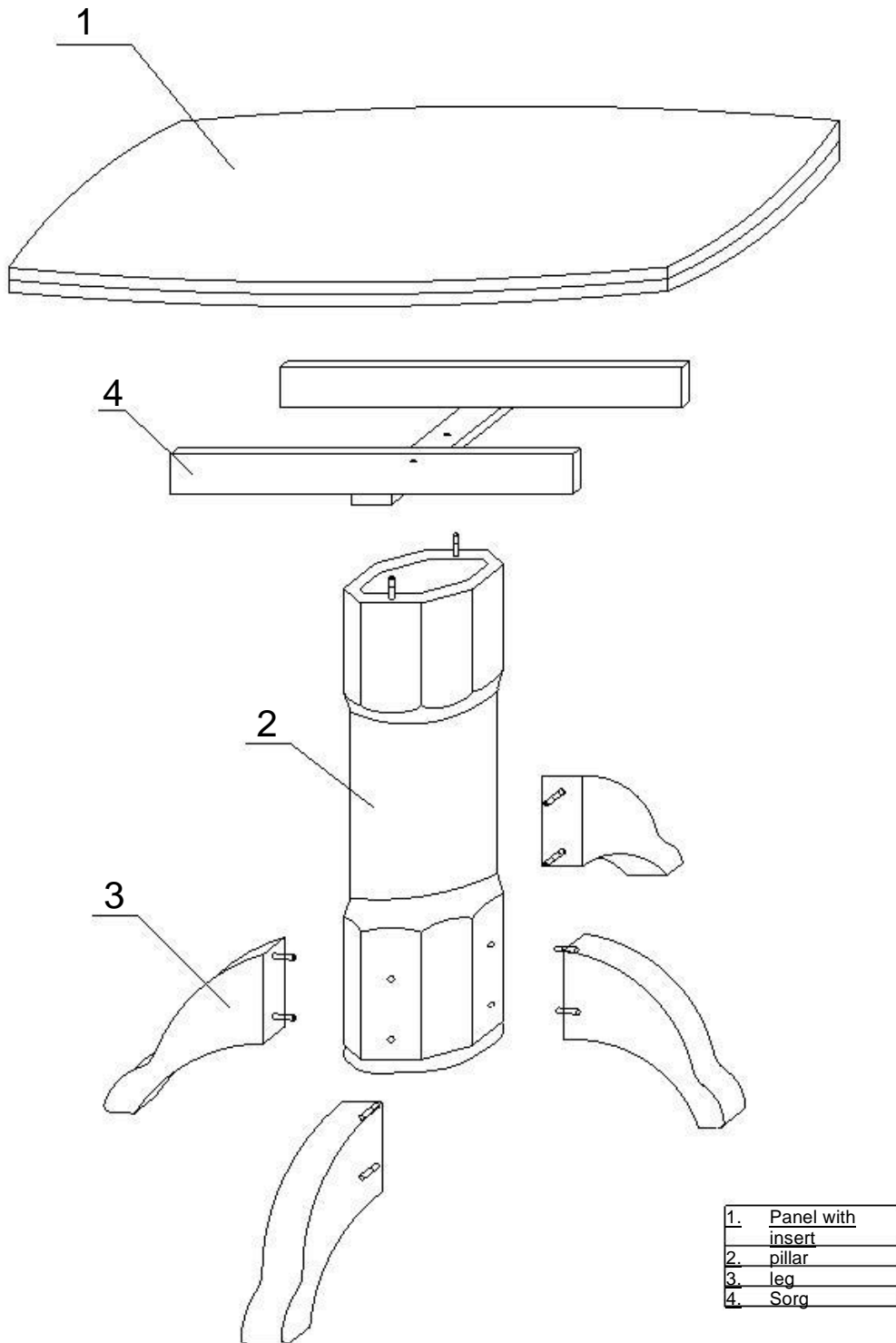


Montage instruction for table LION 100+35 x100



Two persons are needed for montage, the time required for montage is 20min.-Required tool is star screwdriver and wrench no 13.-The legs are mounting first and then the panel of the table .-When mounting the insert , **first release the stoppers that are on the slider ,open the halves of the table to the end and evenly put/move the insert.**