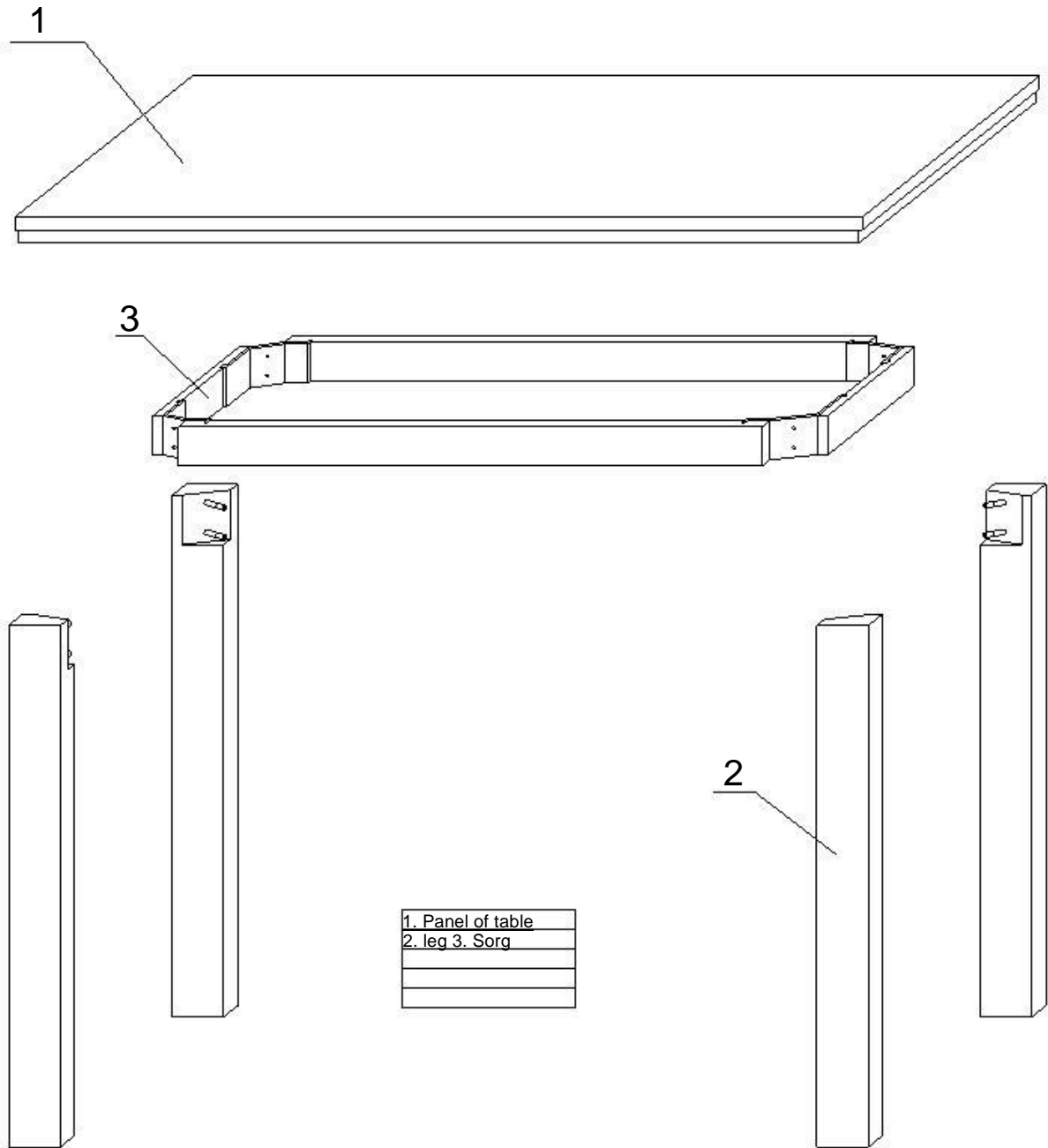


Montage instruction for table DERBY 80x80



-Two persons are needed for montage,the time required for montage is 10min.-Required tool is star screwdriver and wrench no 13.-The legs are mounting first and then the panel of the table.