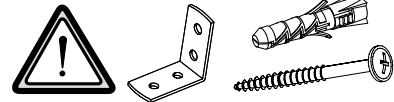
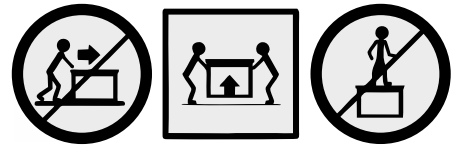
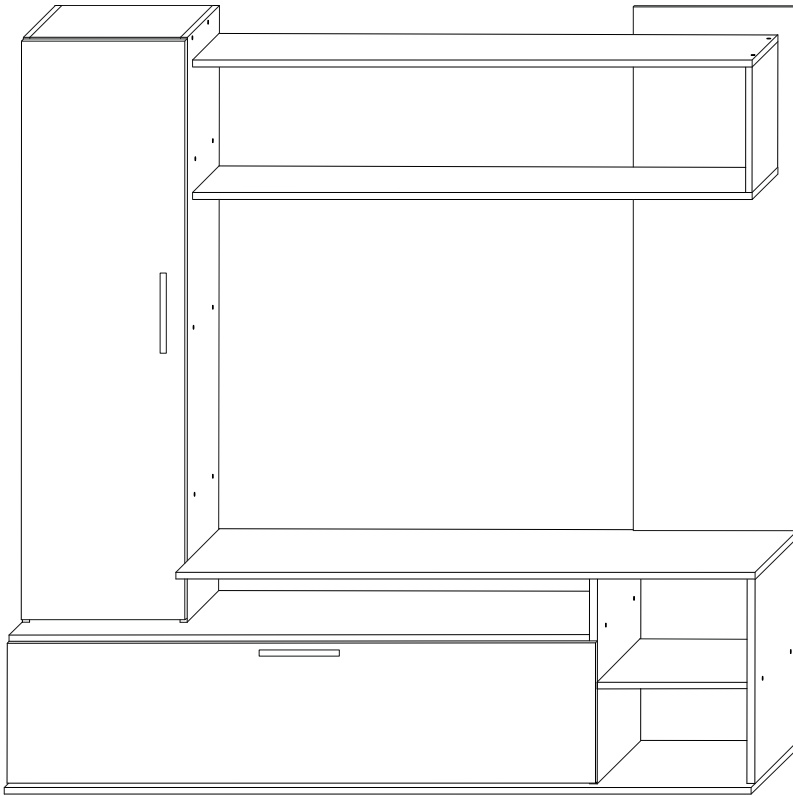


TV Unit Kona 1510x1470x400 mm

ASSEMBLY INSTRUCTION



To avoid falling
we recommend fixing the product to the wall
using **corners** or **double-sided tape**
Purchase separately.

Dimensions

Height: 1510 mm

Width: 1470 mm

Depth: 400 mm



NOTE!

For all questions and complaints about this product, please contact the place of purchase of this product.



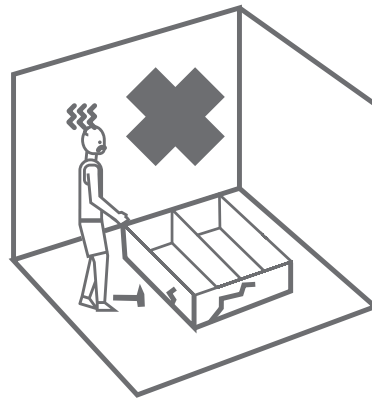
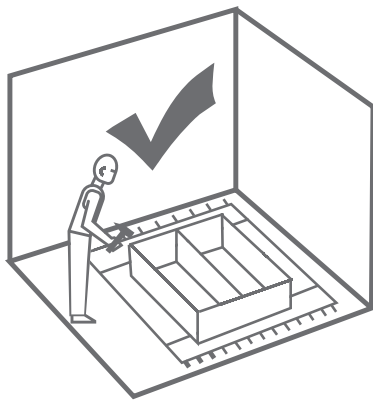
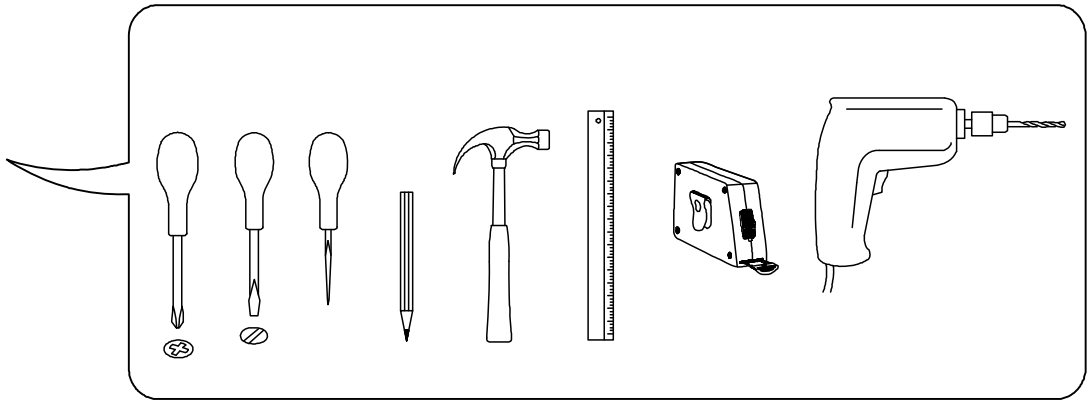
RULES FOR USE AND CARE OF FURNITURE

1. Use furniture only in dry rooms protected from the effects of weather conditions.
2. Install with suitable tools according to these assembly instructions.
3. Try to assemble as close to the location as possible.
4. The body is assembling in a horizontal position.
5. Before moving furniture, make sure that it is not loaded with items.

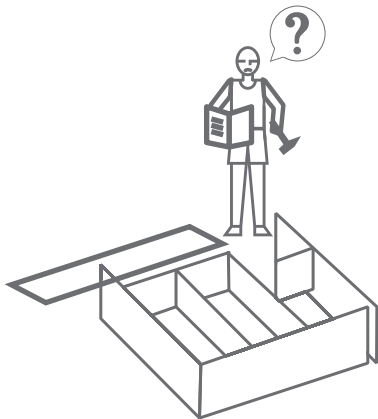
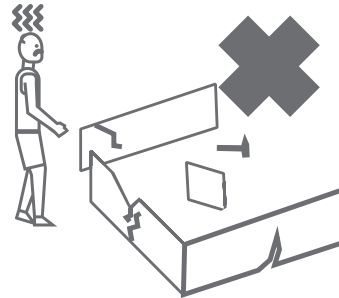
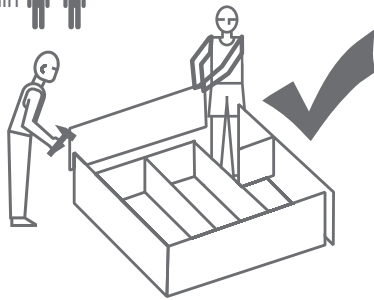
Caution: moving furniture may damage it.

When moving, hold on to vertical elements only; moving furniture by horizontal parts can break the product.

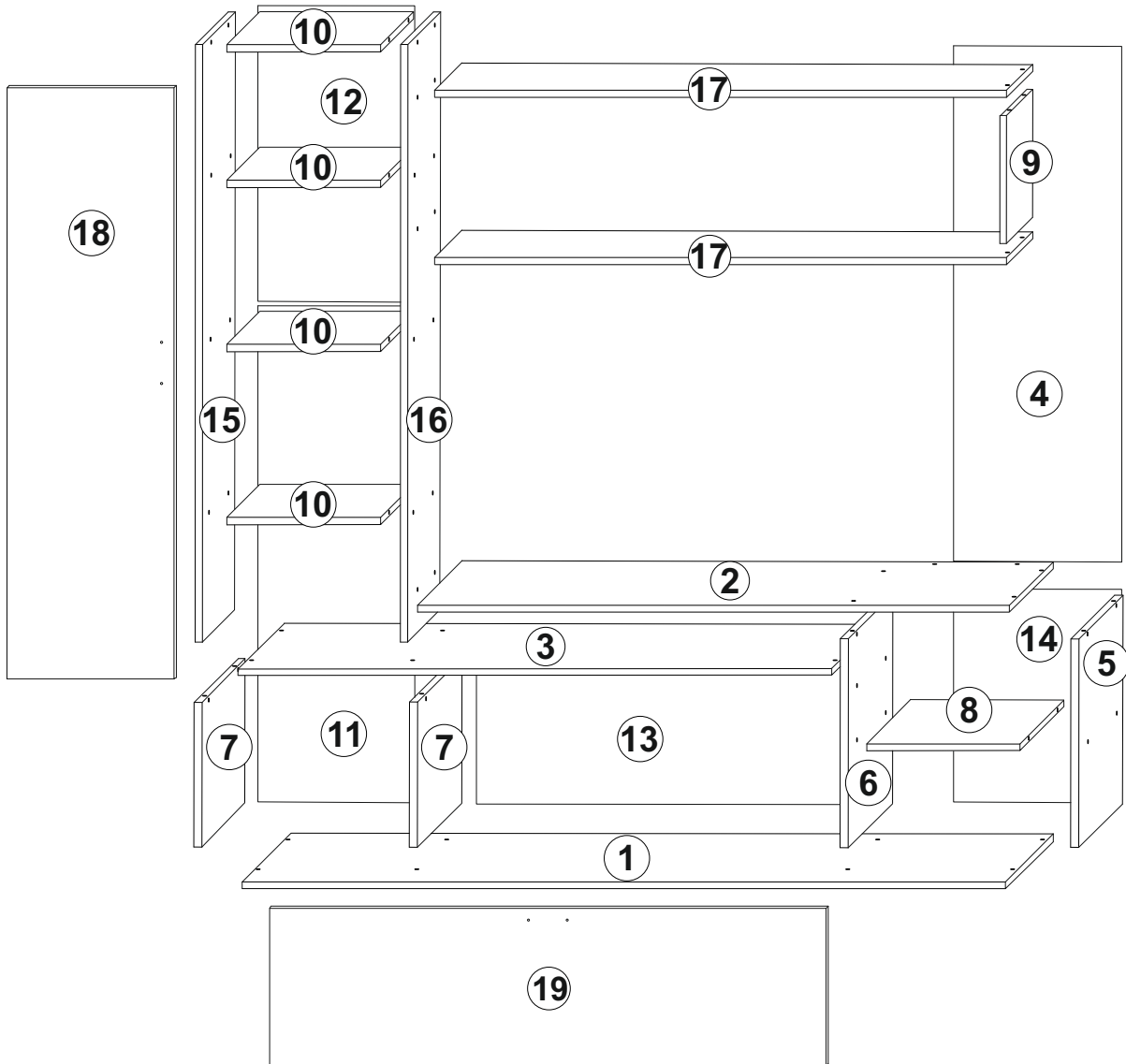
6. Overloading the furniture can damage it.
7. From time to time check the fittings and their correct position.
8. Wipe the furniture surface only with a slightly damp cloth or paper towels. Do not use chemical cleaning agents other than those specifically made for this.



60-120 min

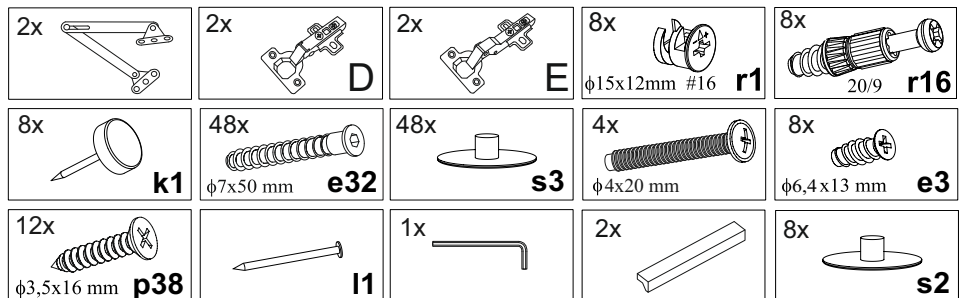


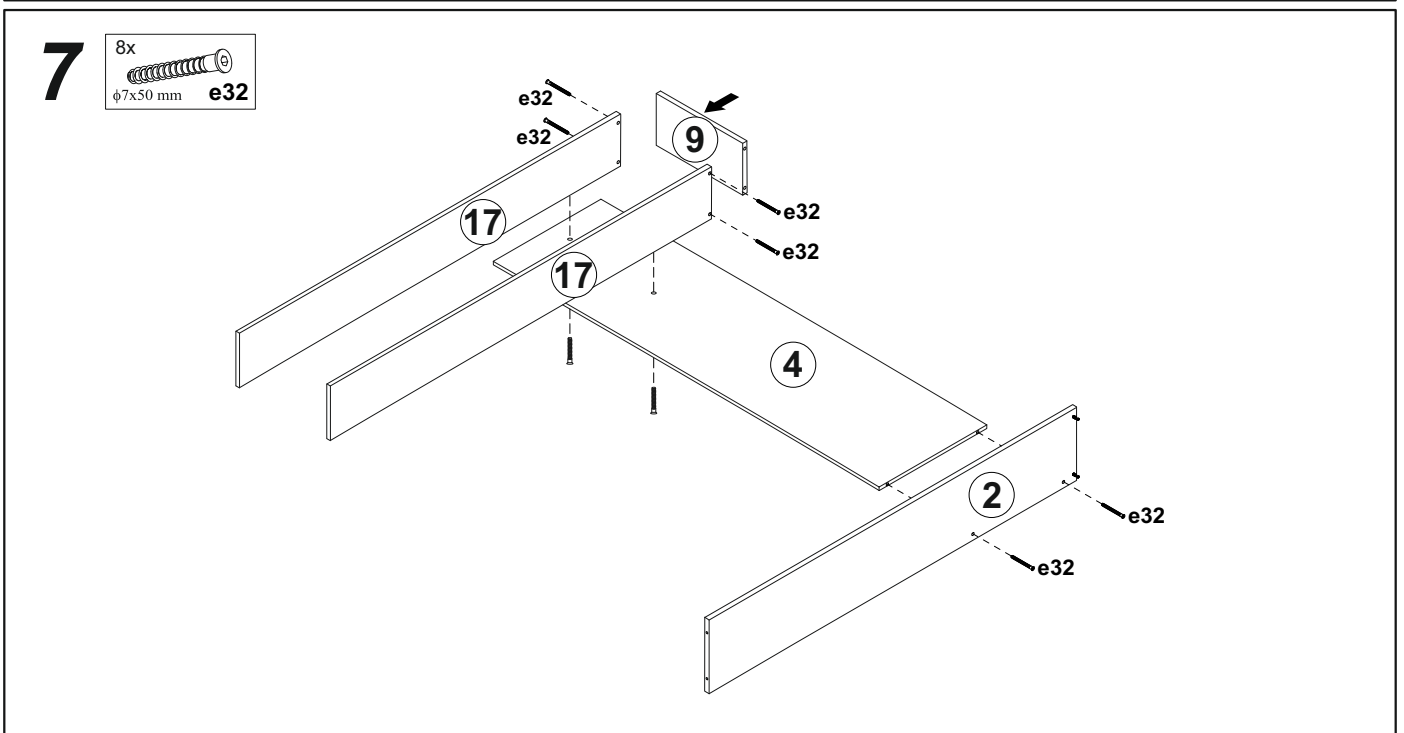
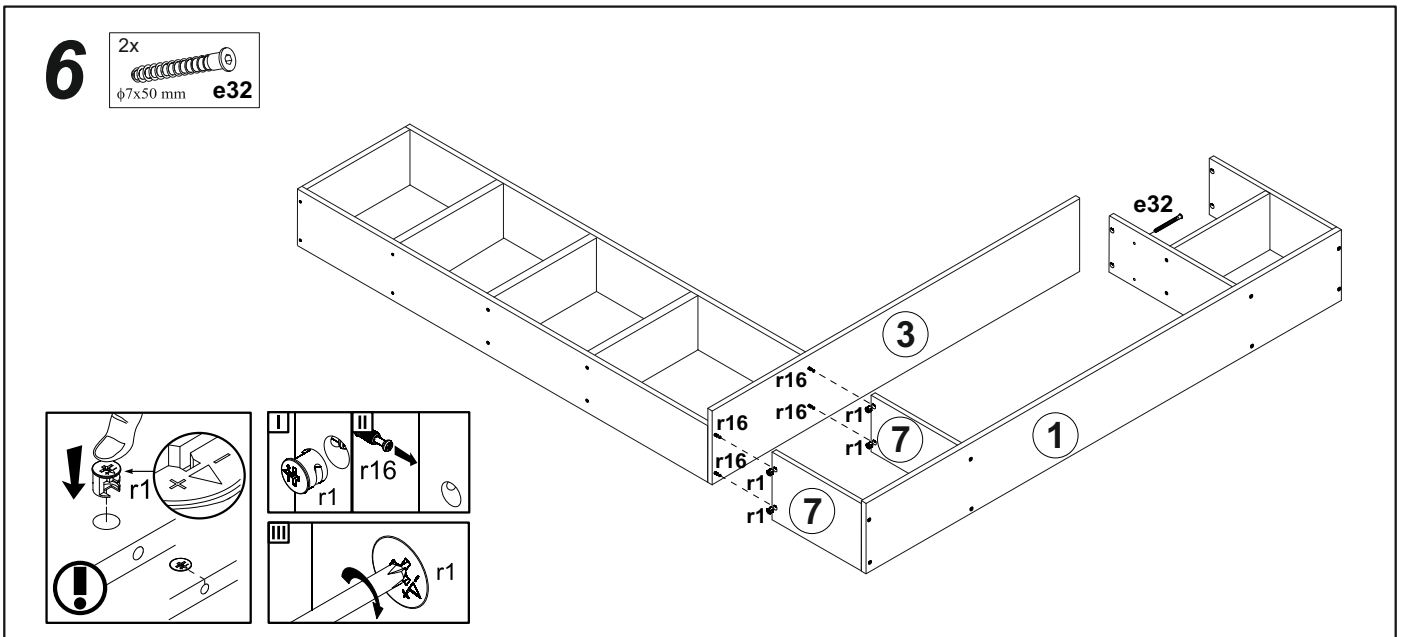
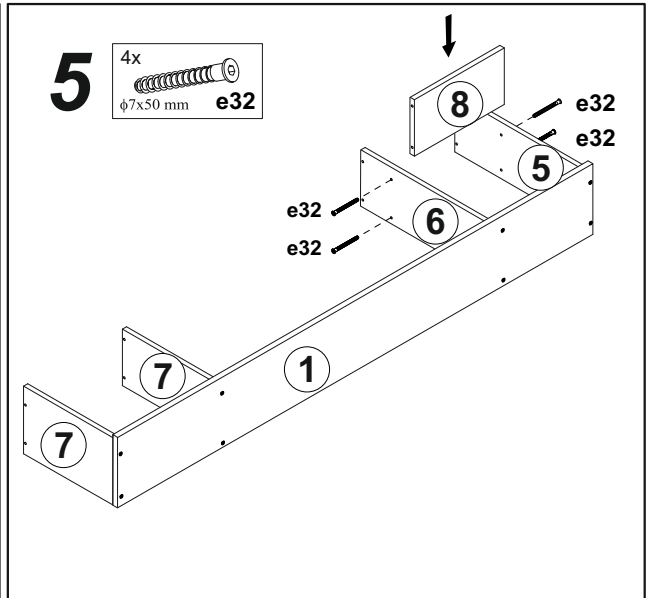
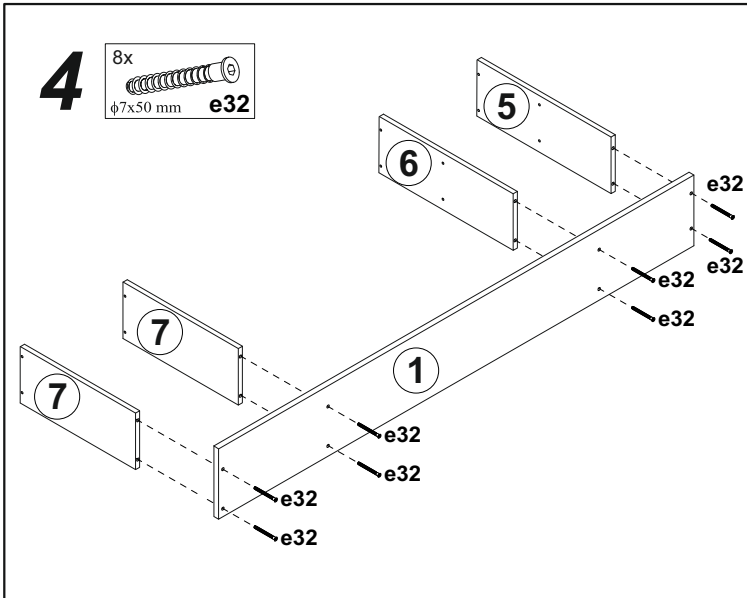
PARTS LIST



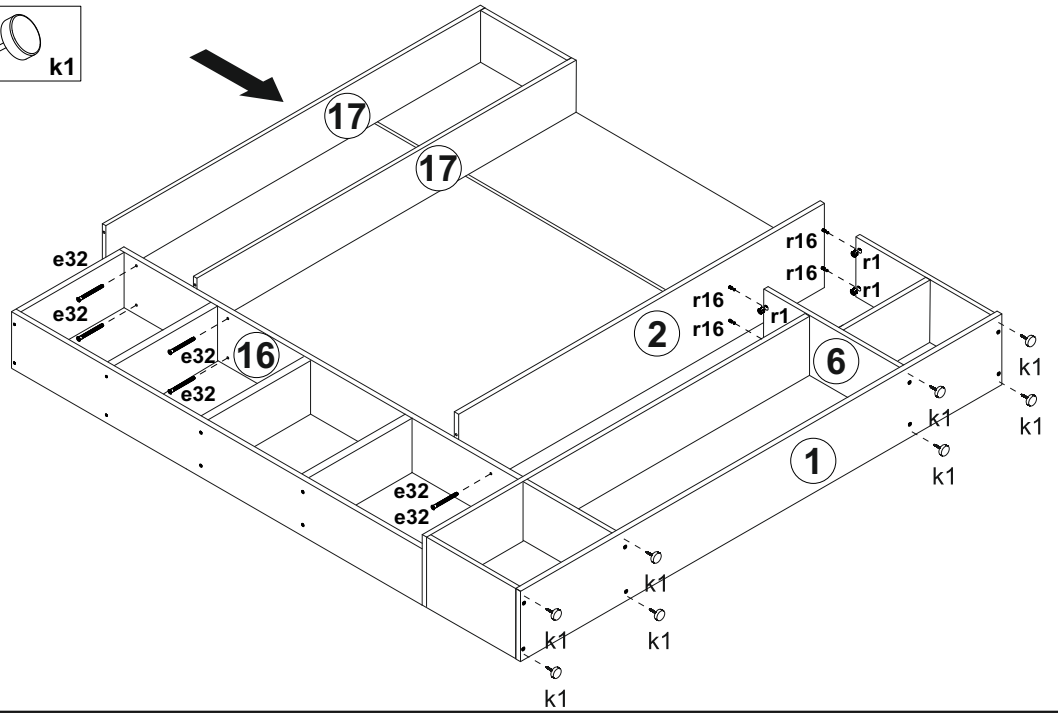
Nº	Description	Dimensions	Nº pack	Qty.	Nº	Description	Dimensions	Nº pack	Qty.
1	BOTTOM	1468 394	1/2	1	11	B.WALL 1	902 344	1/2	1
2	T.SHELF	1114 376	1/2	1	12	B.WALL 2	580 344	1/2	1
3	TOP	1114 376	1/2	1	13	B.WALL 3	776 332	1/2	1
4	B.STAND	1026 354	1/2	1	14	B.WALL 4	406 344	1/2	1
5	R.IN.STAND	432 376	1/2	1	15	L.T.STAND	1152 248	2/2	1
6	IN.B.STAND	432 376	1/2	1	16	R.T.STAND	1152 248	2/2	1
7	L.B.STAND	306 376	1/2	2	17	IN.R.STAND	1082 216	2/2	2
8	B.SHELF	322 376	1/2	1	18	V.FACADE	1146 350	2/2	1
9	R.STAND	272 216	1/2	1	19	H.FACADE	318 1126	2/2	1
10	IN.STAND	322 248	1;2/2	4					

Fittings:

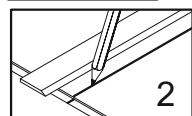
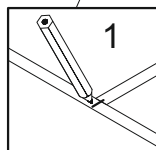
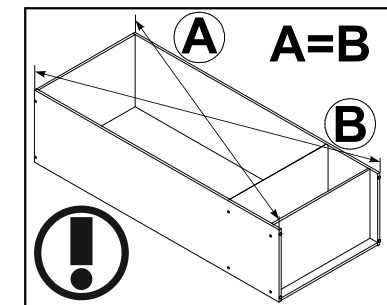
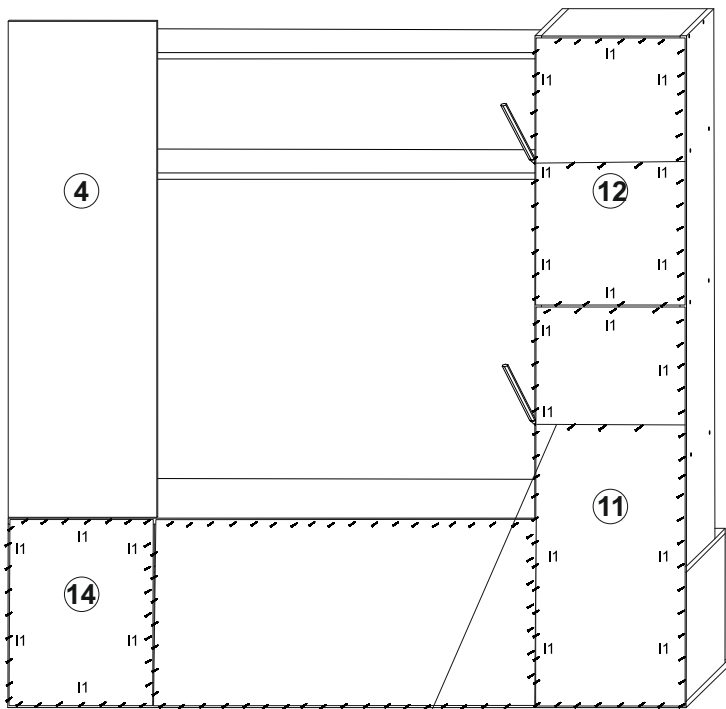
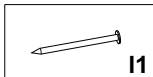




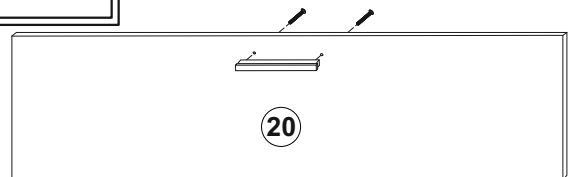
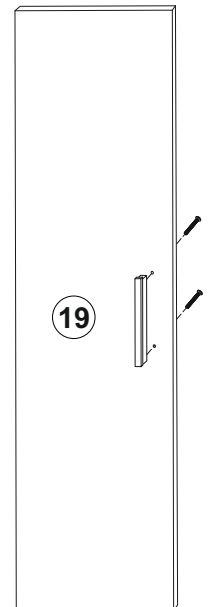
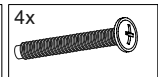
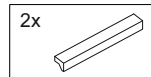
8



9

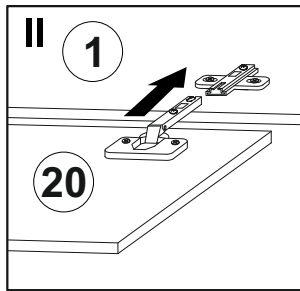
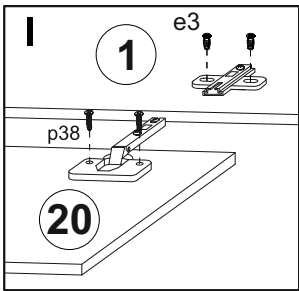
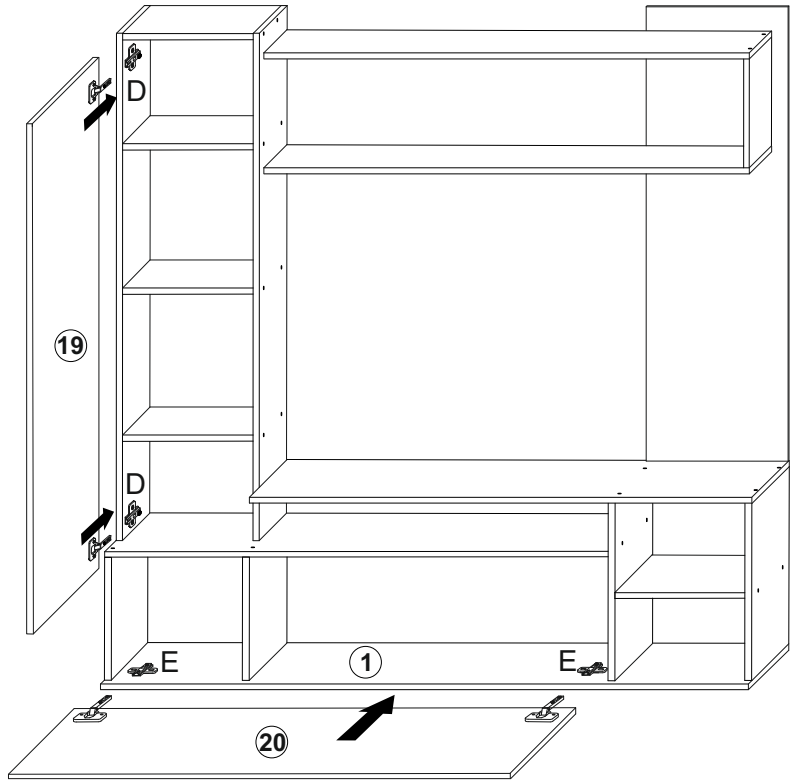
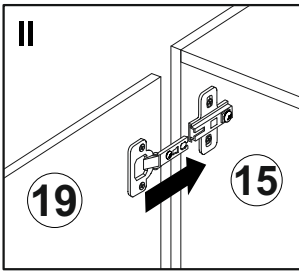
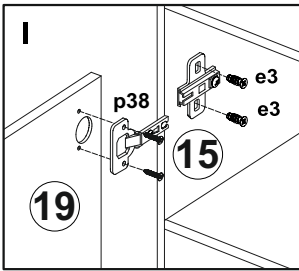
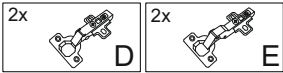


10



Place washers over the screws to hold the handles securely. Washers can be found in the hardware kit.

11



12

