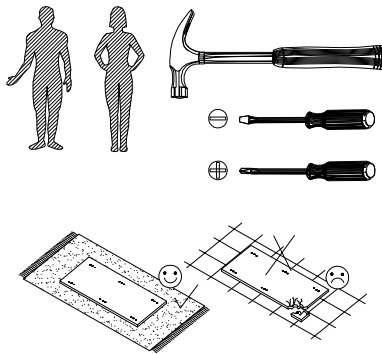
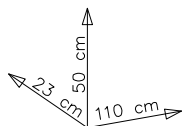
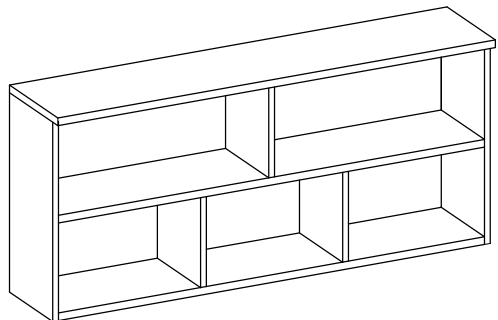
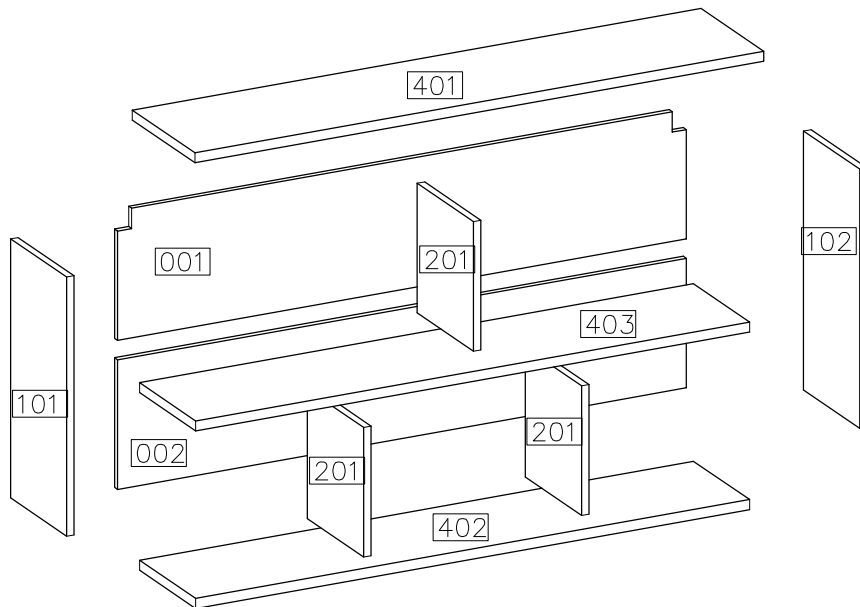


# FIGO

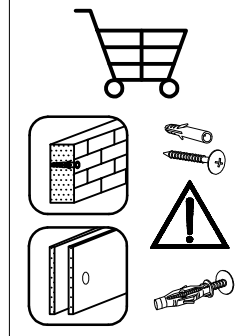
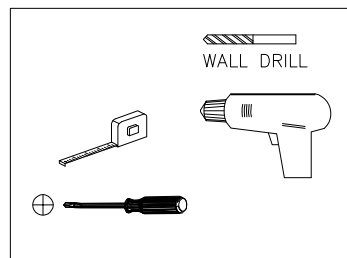
## 09



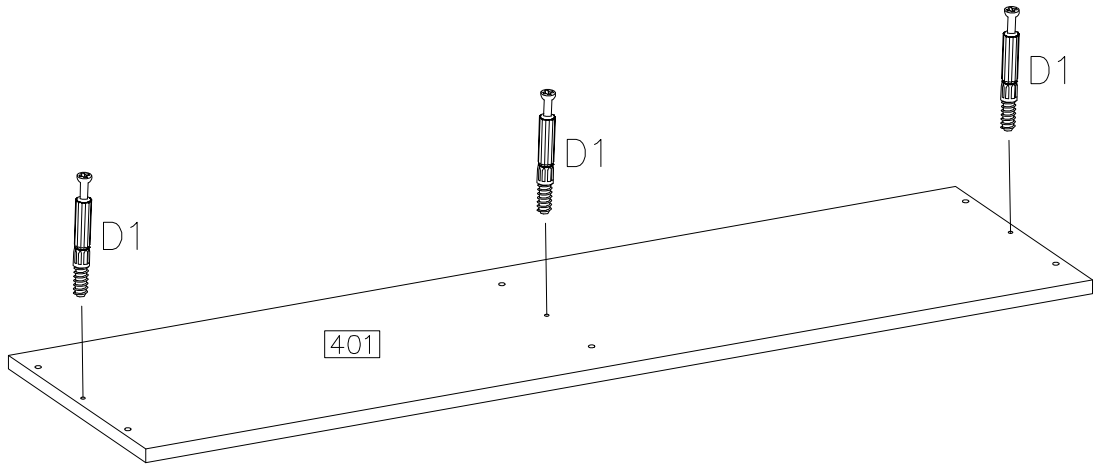
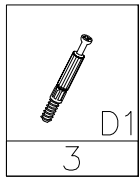
#	ART. NR	QUANTITY
1	401	1
2	402	1
3	403	1
4	101	1
5	102	1
6	201	3
7	001	1
8	002	1



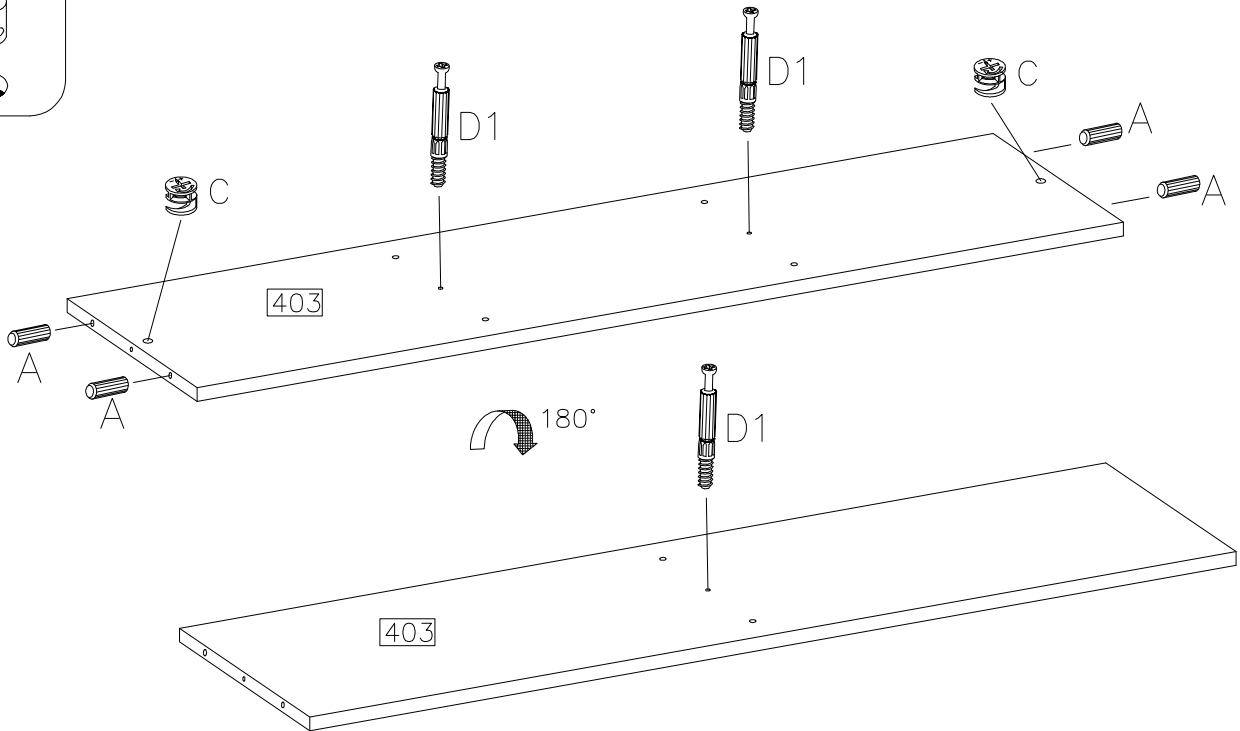
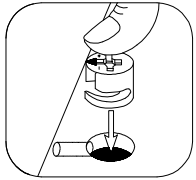
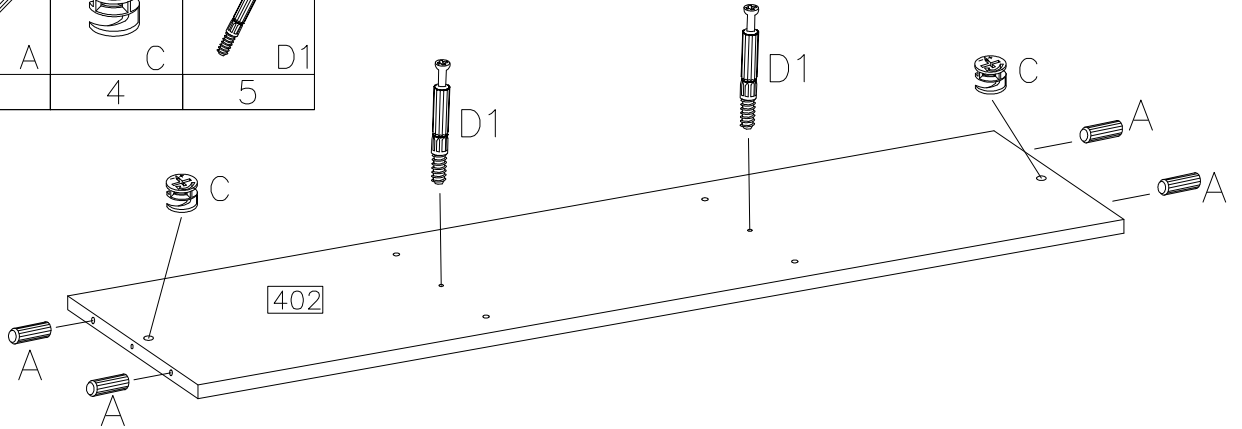
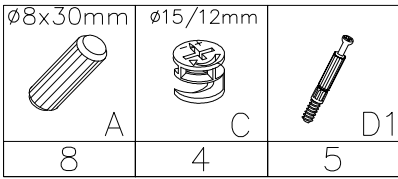
 A 24	 D1 12	 C 12	 E 12	
 F10 40	 F8 10	 K8 2	 R3 4	 K9 2



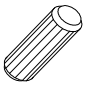


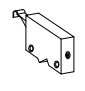

1

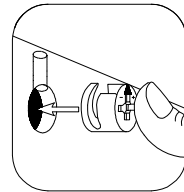
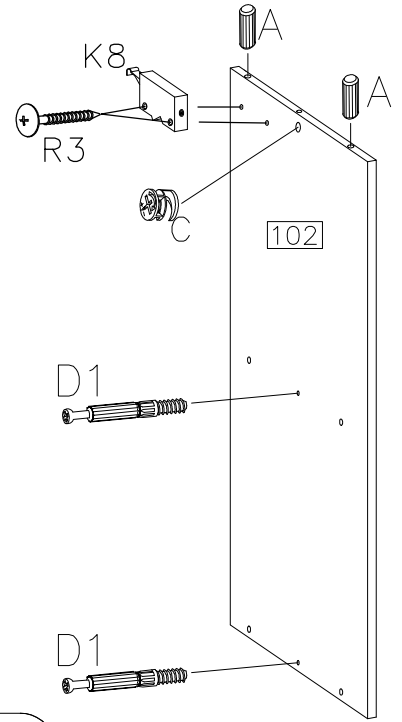
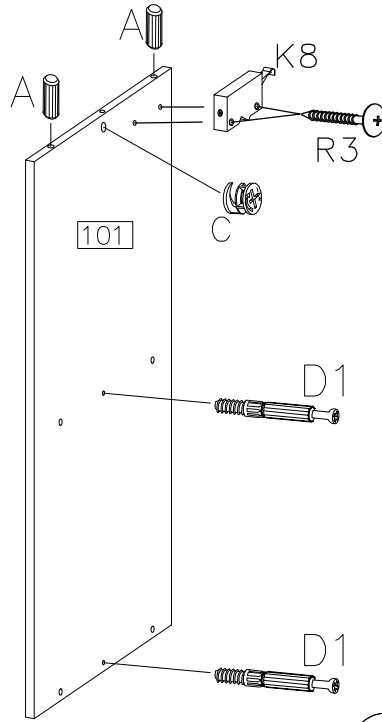
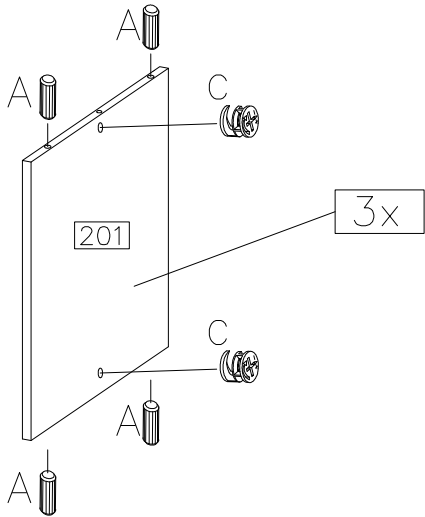


2




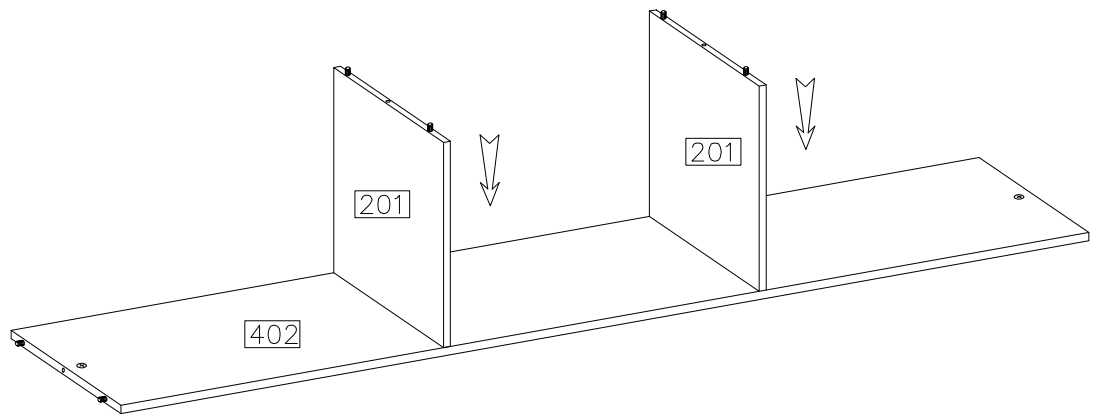
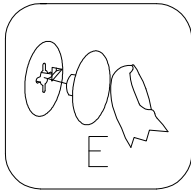
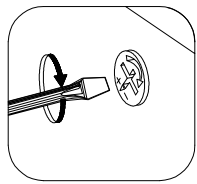
3

$\varnothing 8 \times 30 \text{mm}$  A 16	 D1 4	$\varnothing 15/12 \text{mm}$  C 8
 K8 2	$4.0 \times 30 \text{mm}$  R3 4	




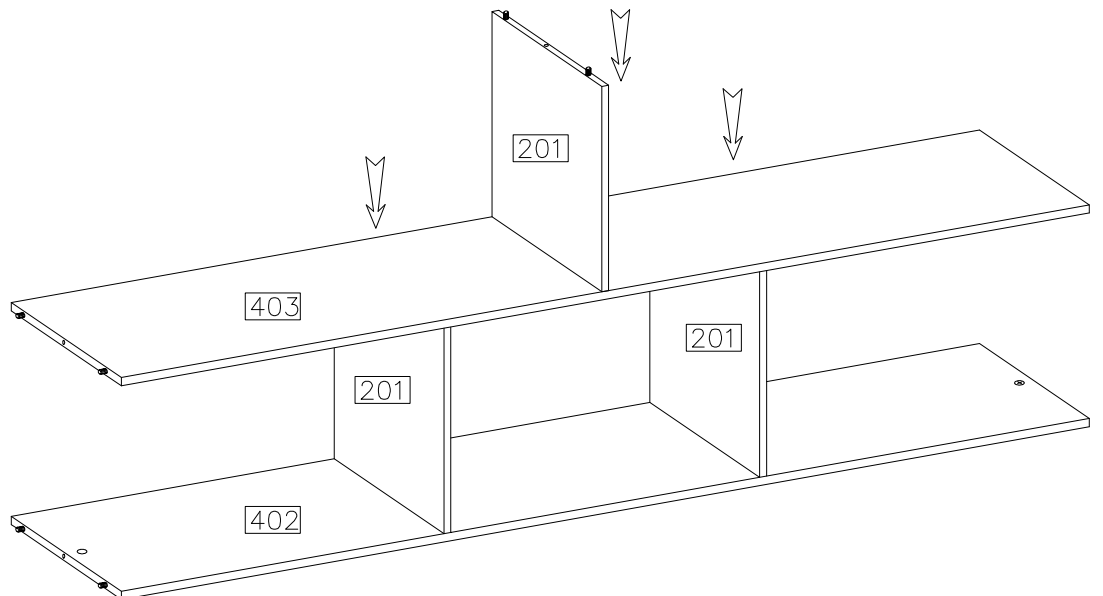
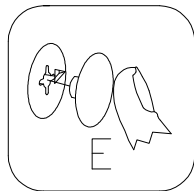
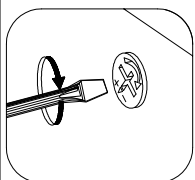
4

 E 2
---

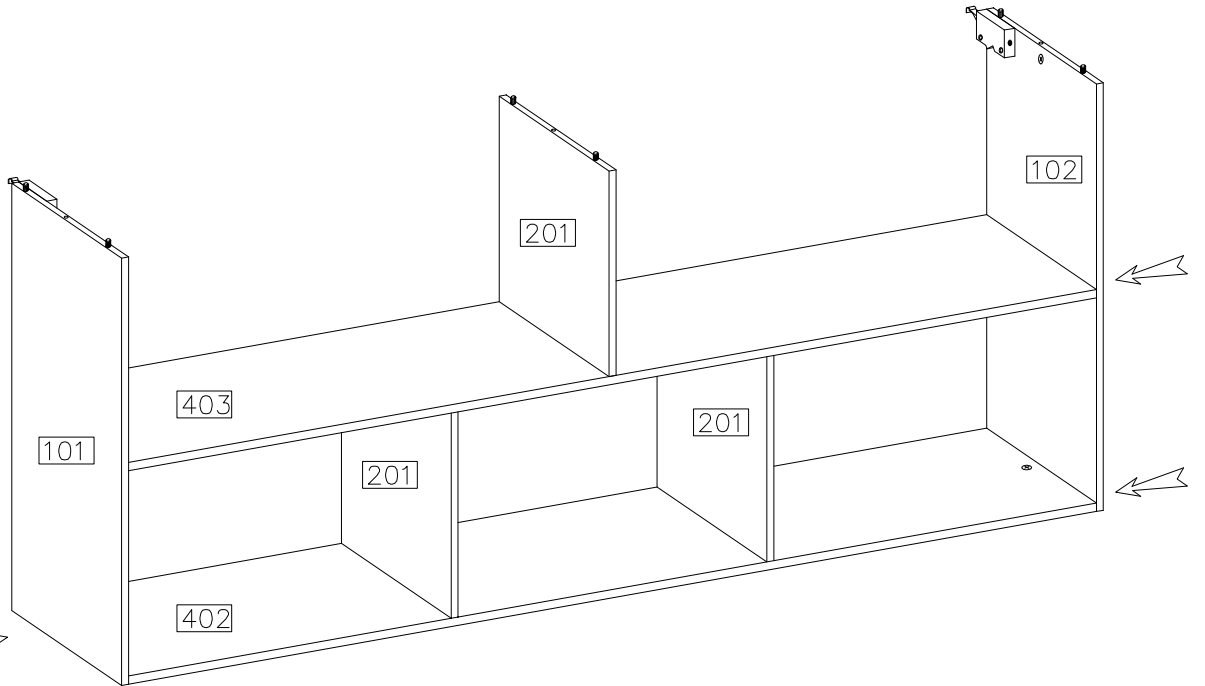
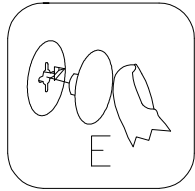
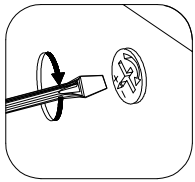
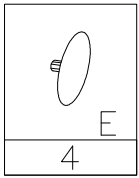


5

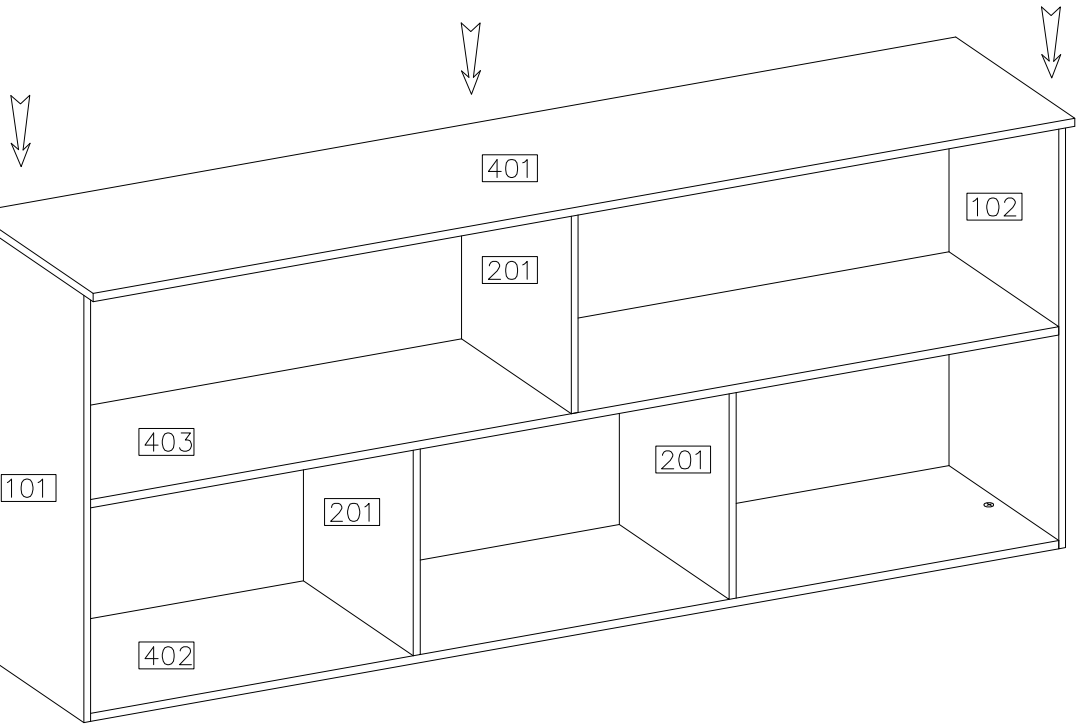
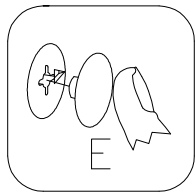
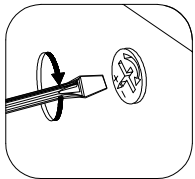
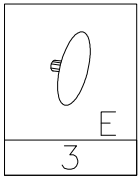
 E 3
---



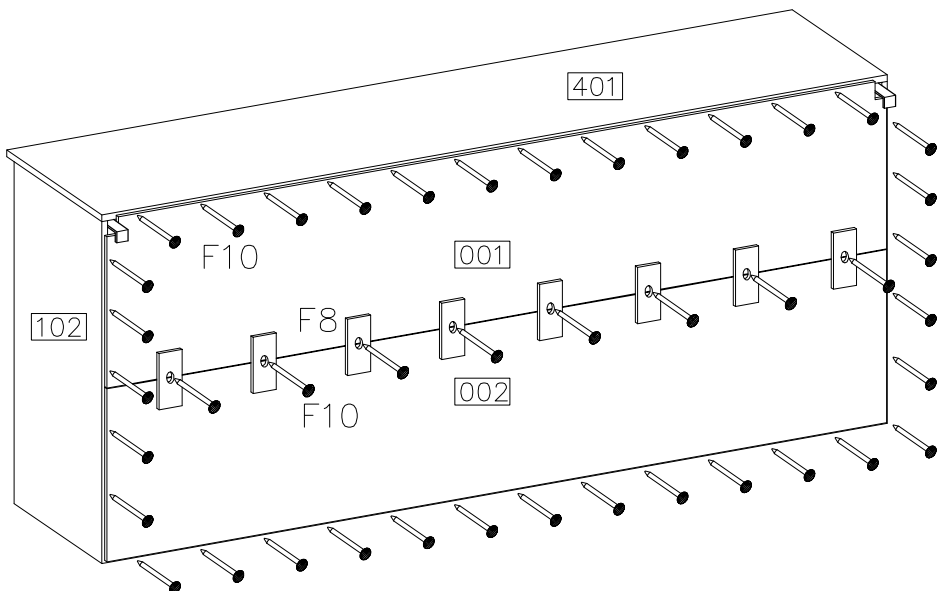
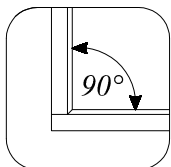
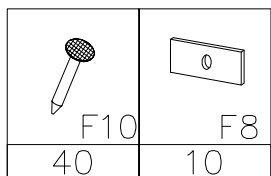
6



7



8



9

