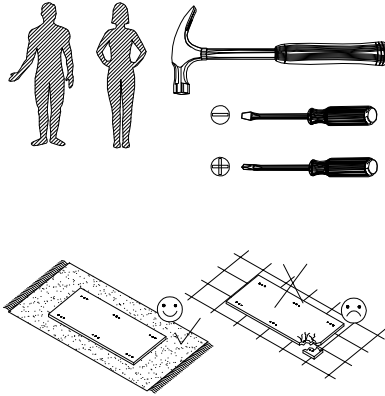
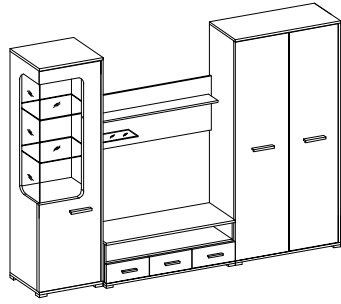
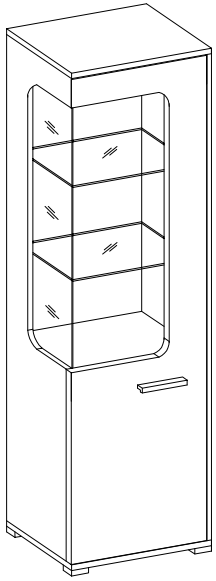
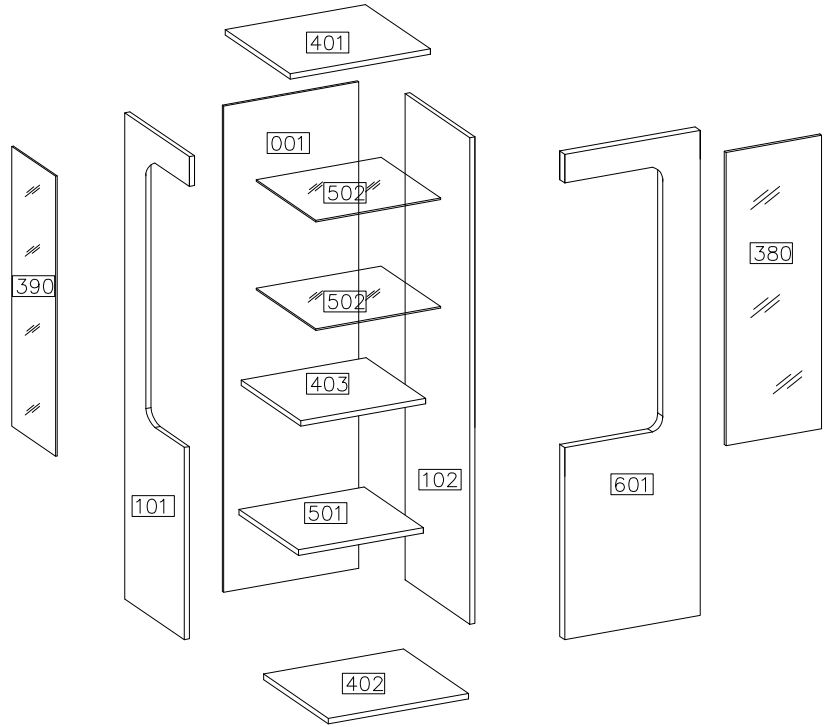
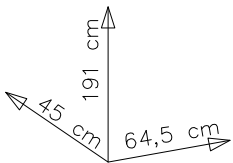



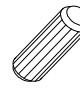
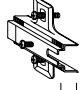
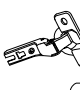

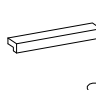


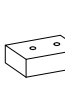

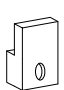

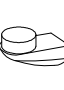
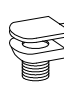


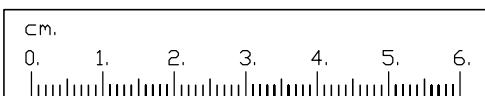
# FRIDA



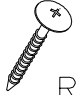

#	ART. NR	QUANTITY
1	401	1
2	402	1
3	403	1
4	101	1
5	102	1
6	601	1
7	501	1
8	502	2
9	001	1
10	380	1
11	390	1

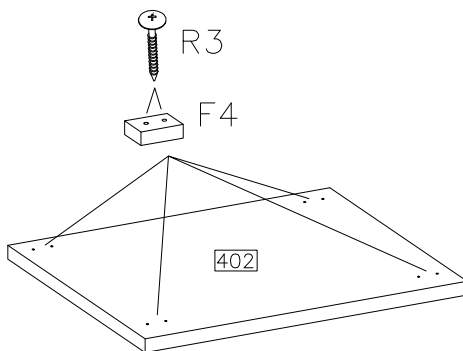


	ø15/12mm 		ø8x30mm 	H=0 	ø35/KR-0 	ø4.0x16mm 		4.0x27mm 
D1	C	E	A	H4	G6	P1	S1	R2
12	12	12	12	3	3	14	1	2
								
R3	F4	F10	U	J4	J5	J6		
8	4	60	8	6	4	4		




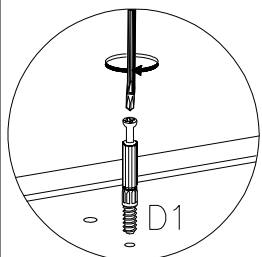
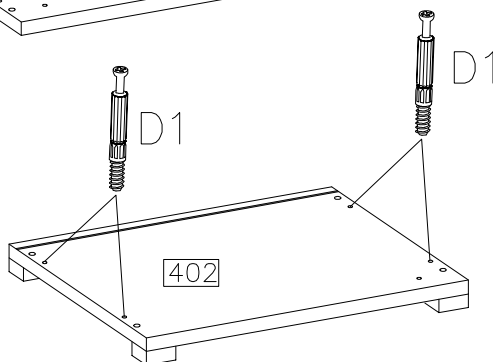
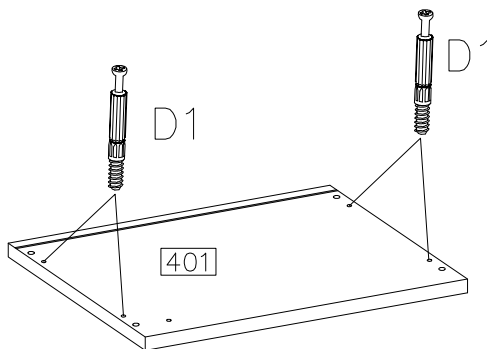
1

4.0x35mm		
	R3	F4
8		4

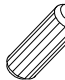



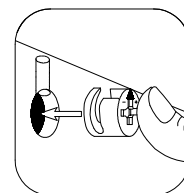
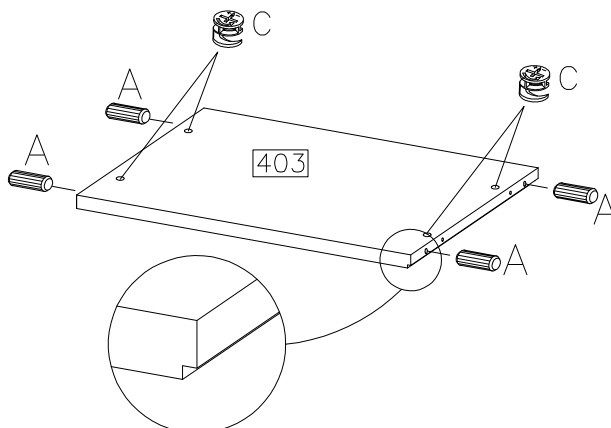
2

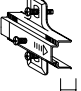
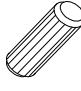


D1
8

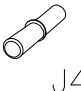



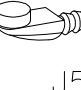

3

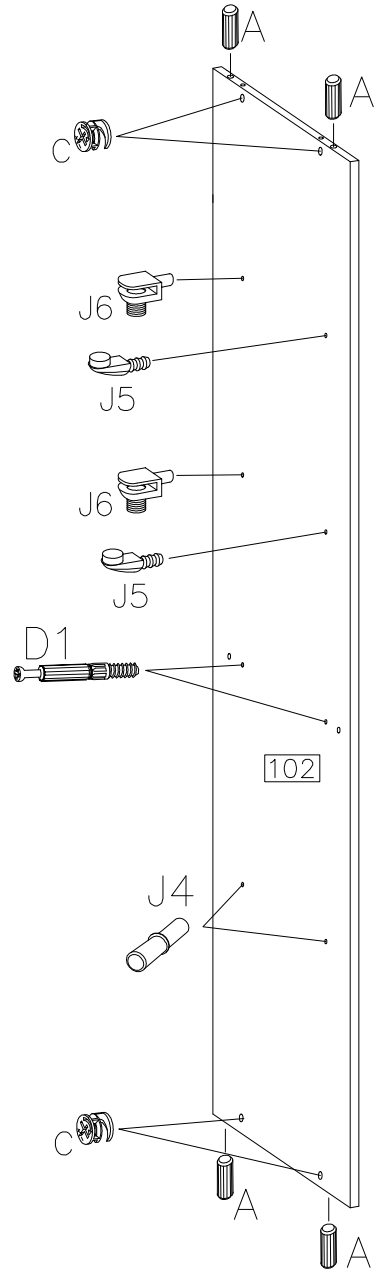
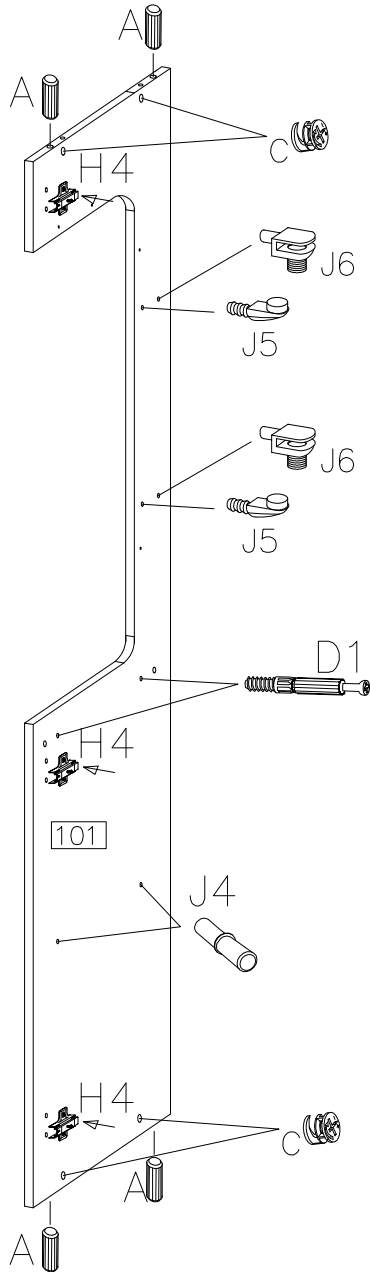
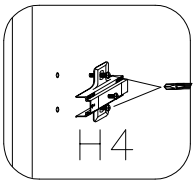
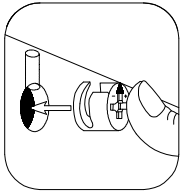
∅8x30mm	∅15/12mm
	
A	C
4	4



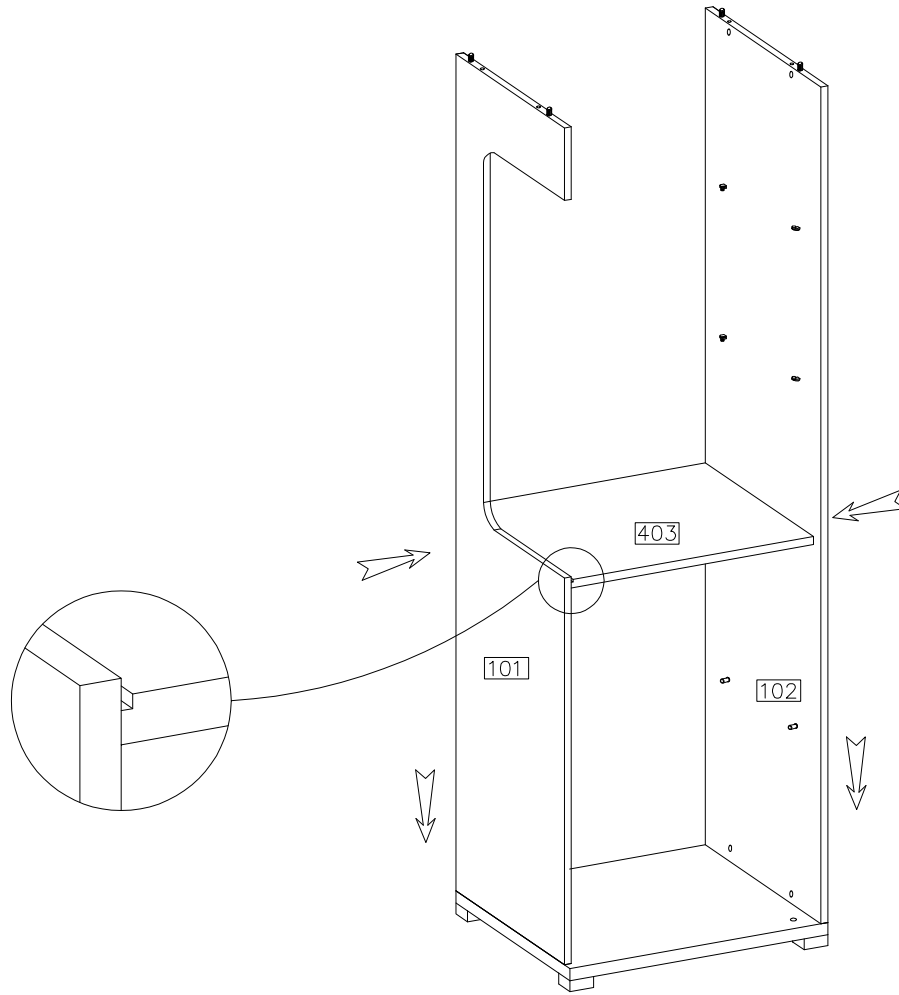
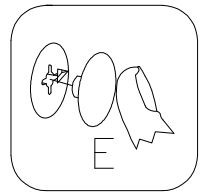
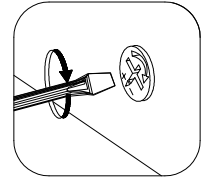
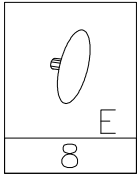
H=0  H4 3	∅8x30mm  A 8	∅15/12mm  C 8
--	--	---

 J4 8	 D1 4
---	--

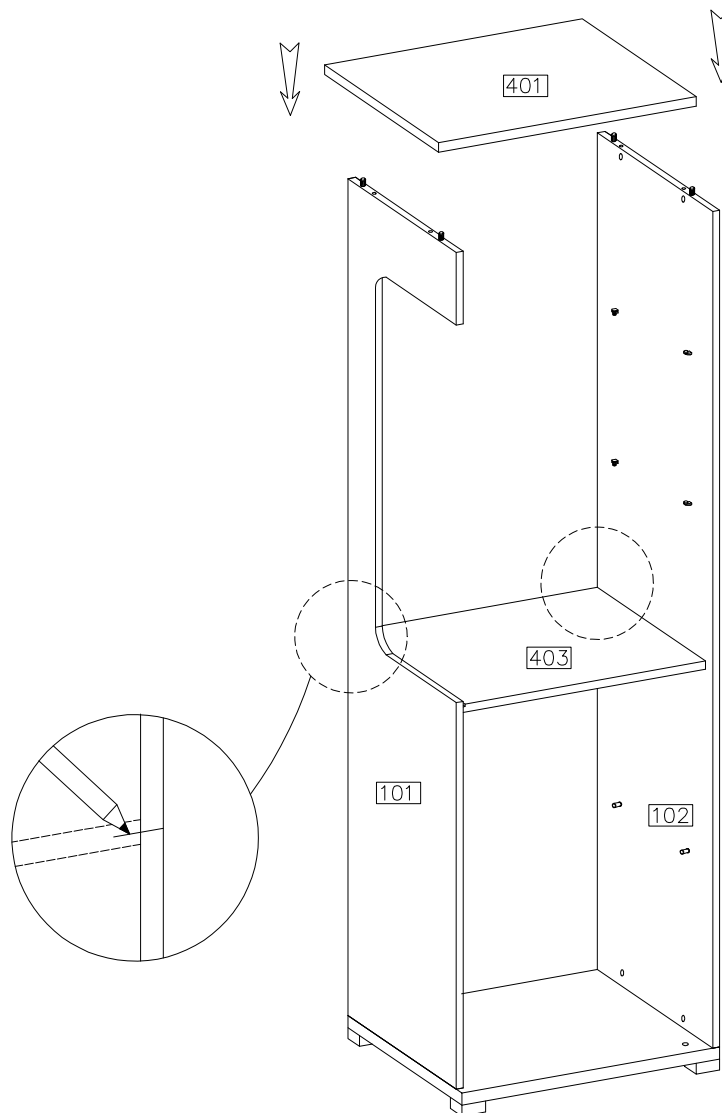
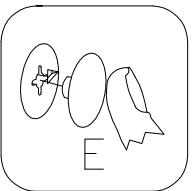
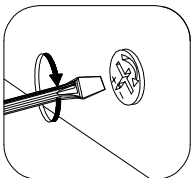
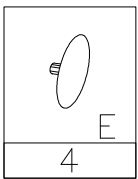
 J5 4	 J6 4
---	--



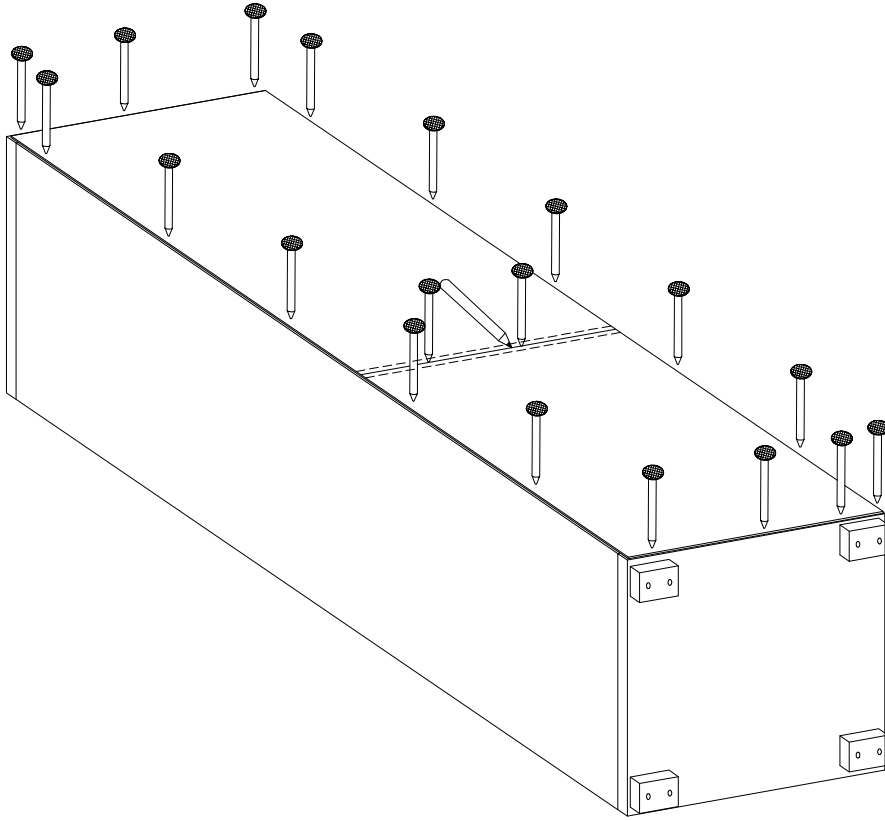
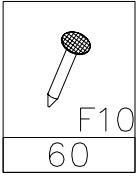
5



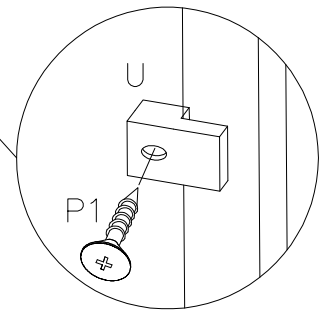
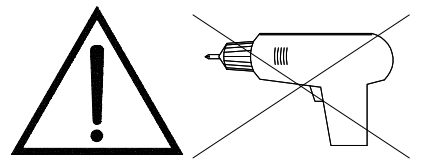
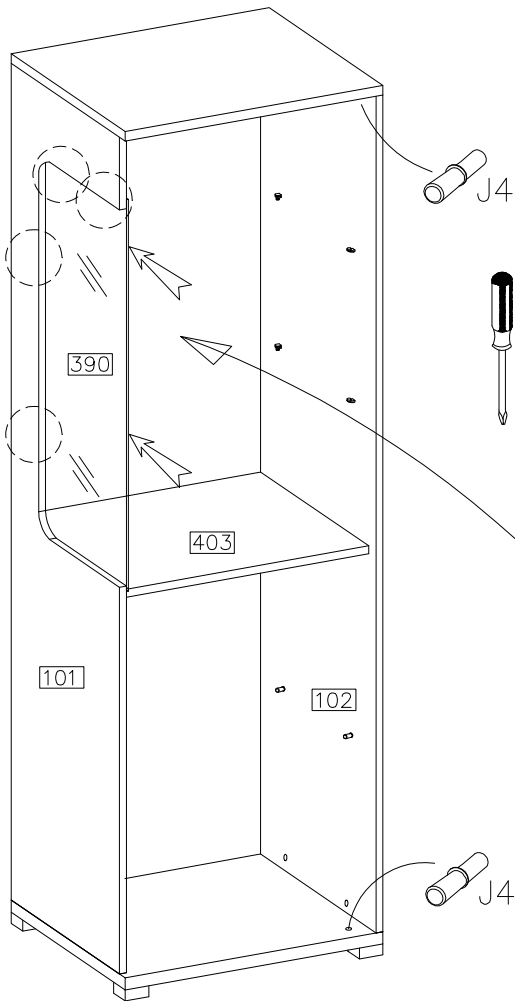
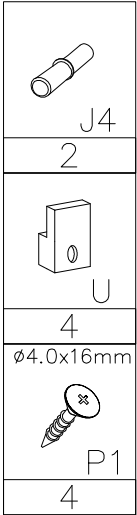
6



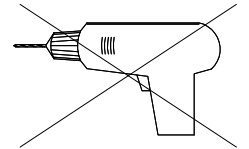
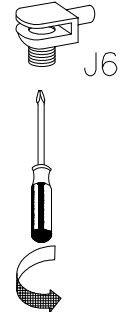
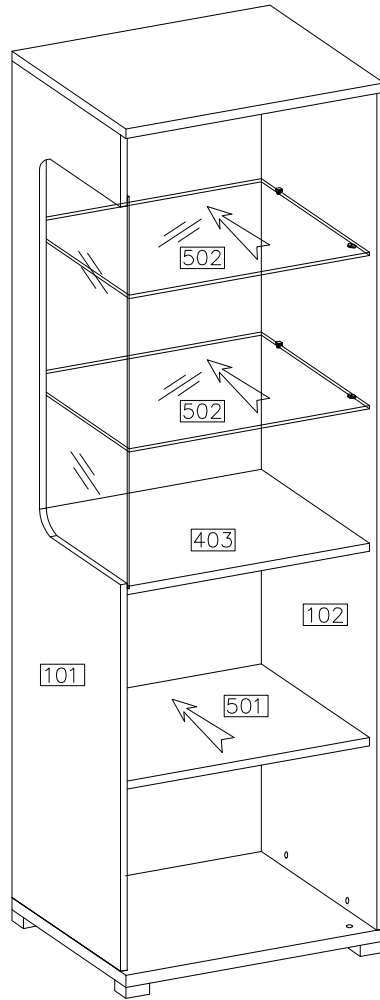
7



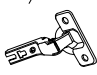

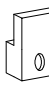


8



9



10

 G6 3	 P1 10	 U 4	 S1 1	 R2 2
--	---	---	--	--

