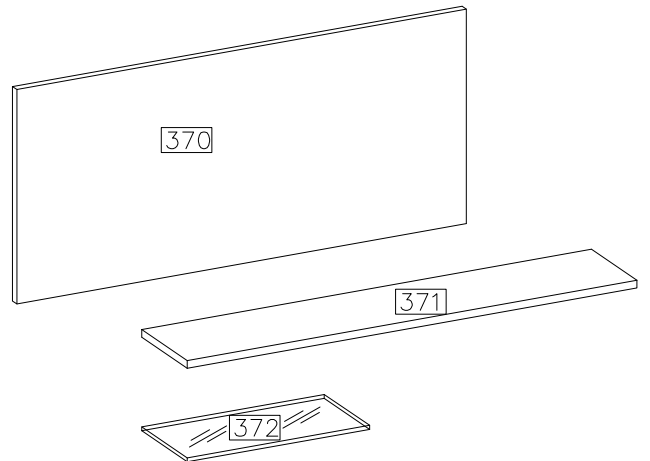
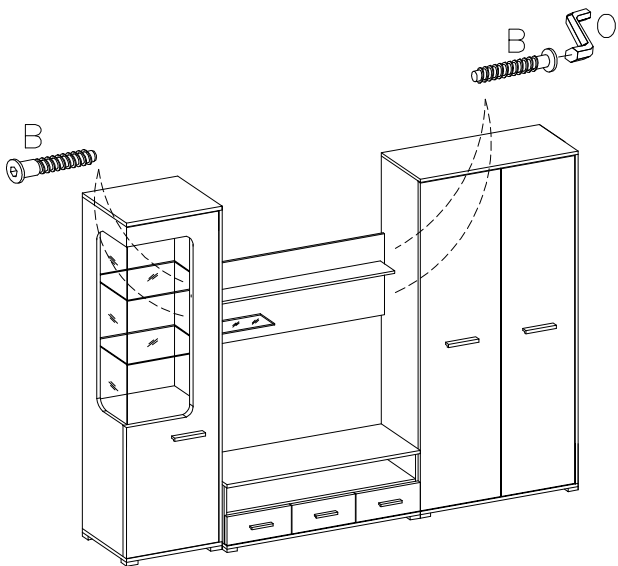
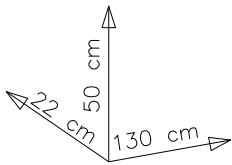
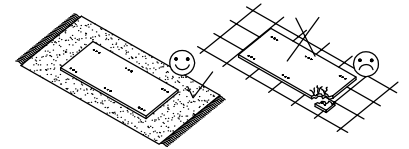
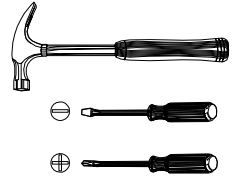
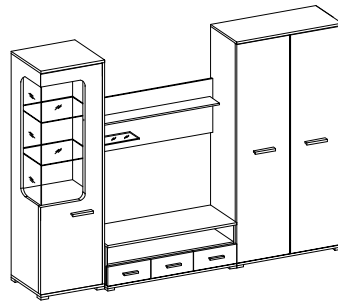
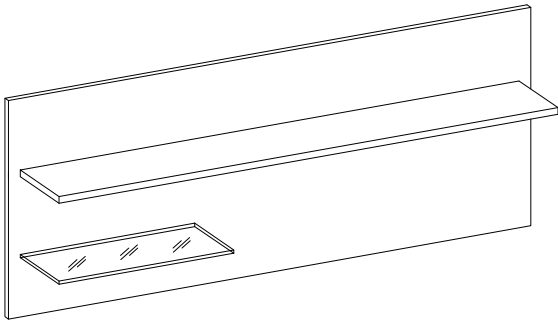


FRIDA

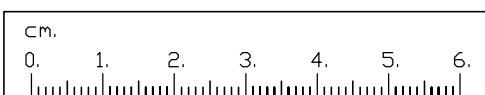
| # | ART. NR | QUANTITY |
|---|---------|----------|
| 1 | 370 | 1 |
| 2 | 371 | 1 |
| 3 | 372 | 1 |



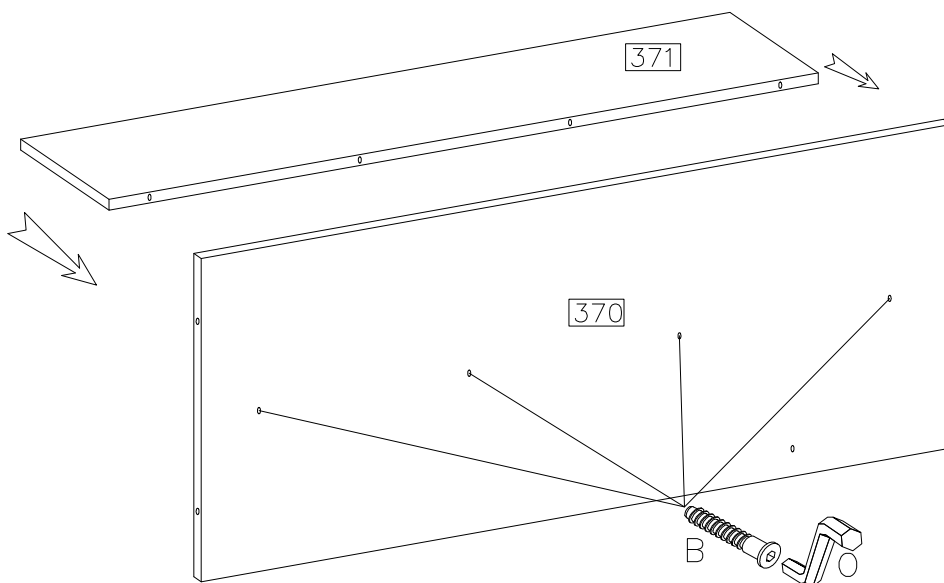
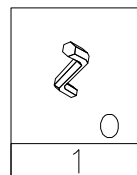
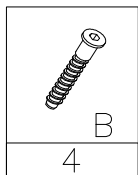
| | |
|---|---|
| | |
| B | O |
| 4 | |

| | | | |
|---|---|----|----|
| | | | |
| B | O | B5 | P2 |
| 8 | 1 | 2 | 4 |

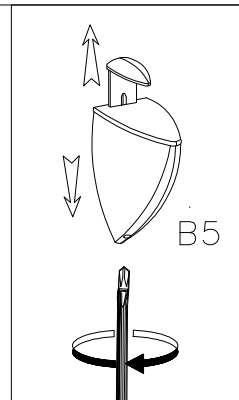
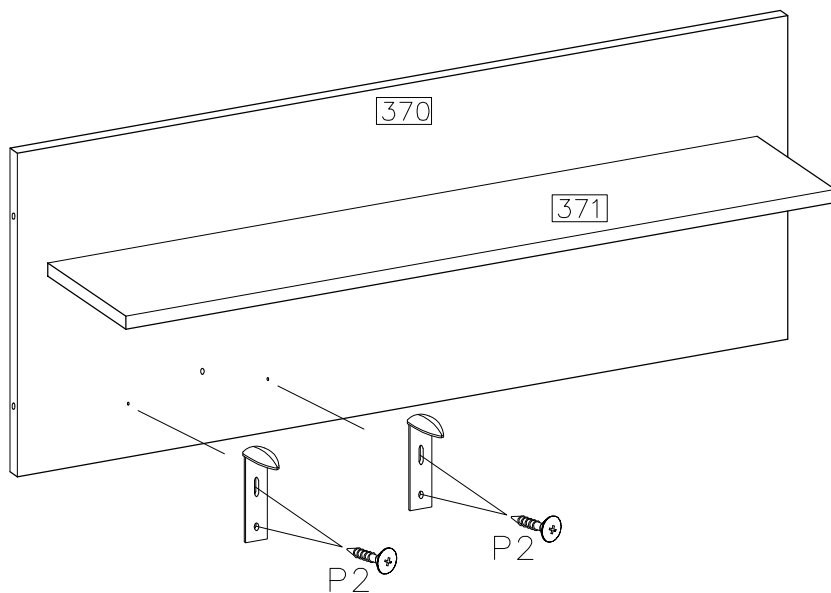
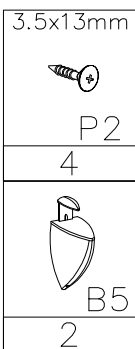
| | |
|--------------|----|
| | |
| V1 | V2 |
| 1 | 1 |
| OPTION/OPCJA | |



1



2



3

