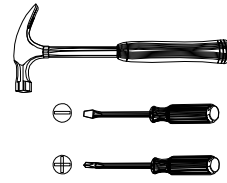
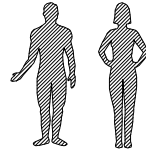
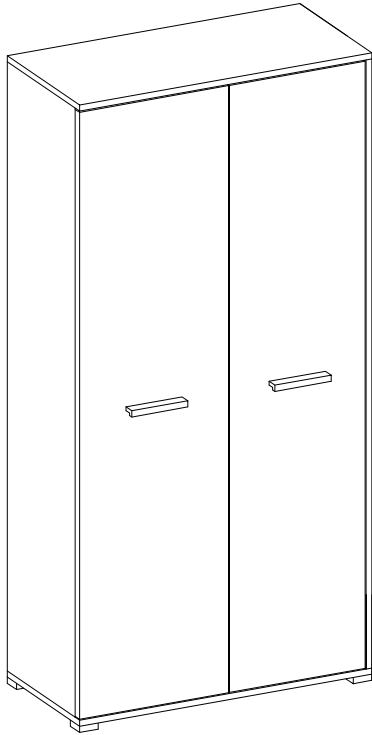
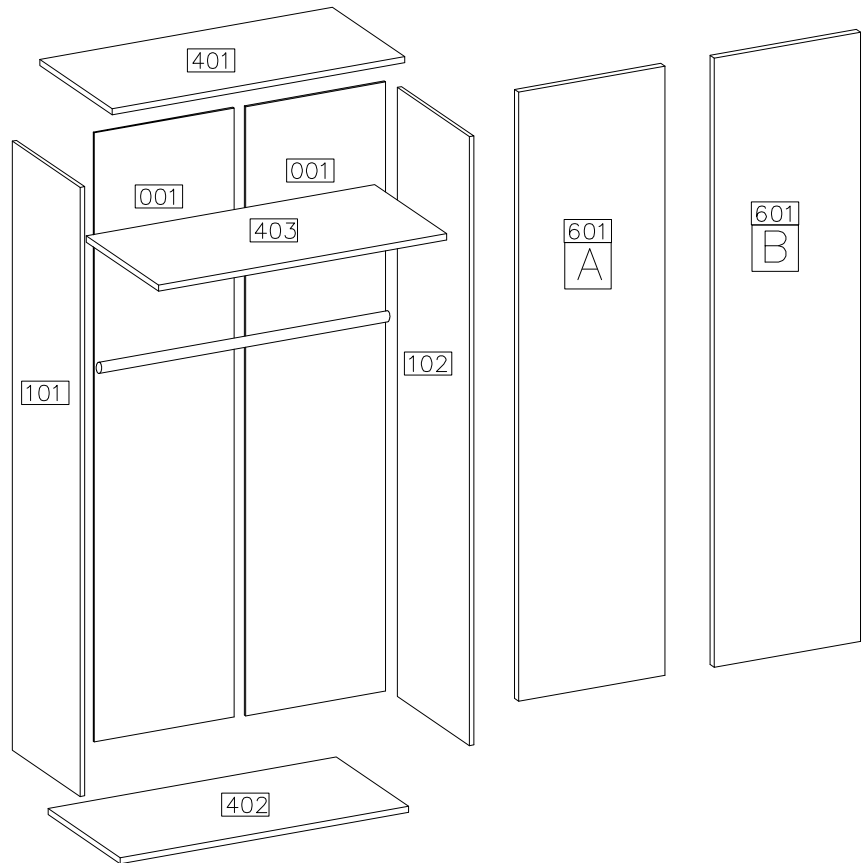
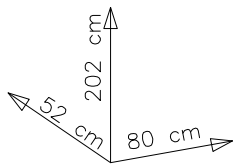
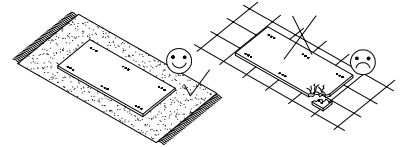
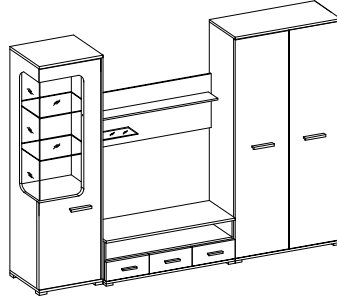


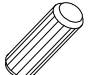


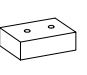

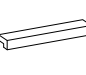

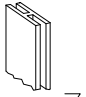

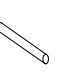


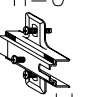



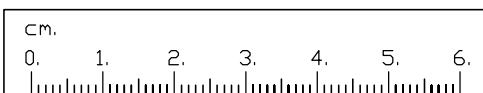
FRIDA



#	ART. NR	QUANTITY
1	401	1
2	402	1
3	403	1
4	101	1
5	102	1
6	001	2
7	601	2

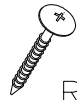


 D1	 C	 A	 E	 R3	 F4	 F10	 S1	 R2
12	12	18	12	8	4	60	2	4
 Z1	 O10	 O12	 P1	 G6	 H4	 G7		
1	2	1	16	3	6	3		



1

4.0x35mm



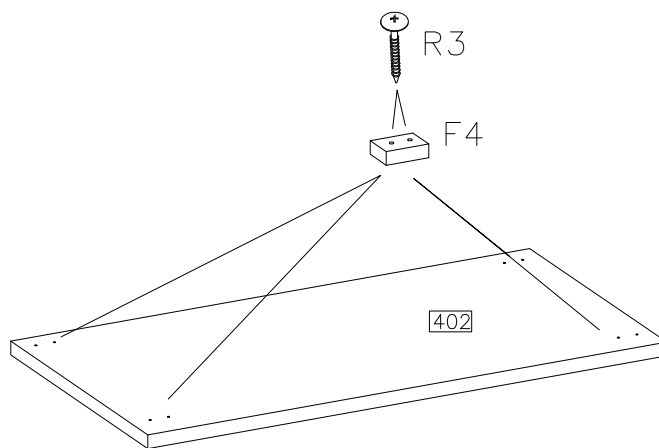
R3

8



F4

4

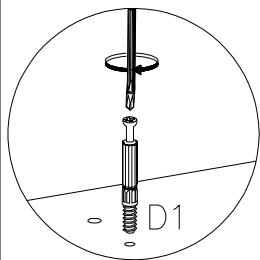
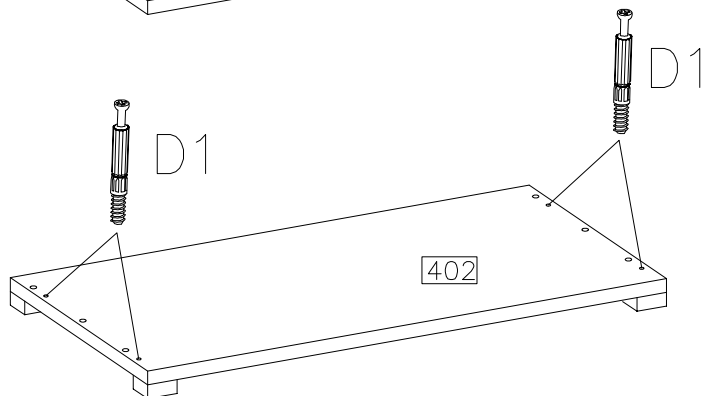
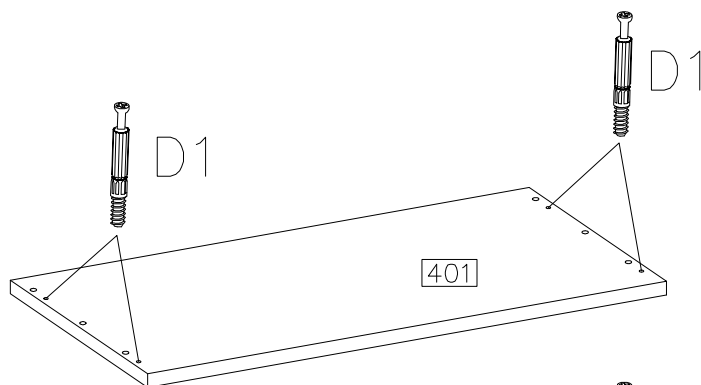


2



D1

8



3

ø15/12mm



C

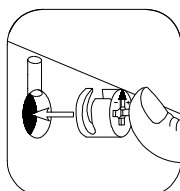
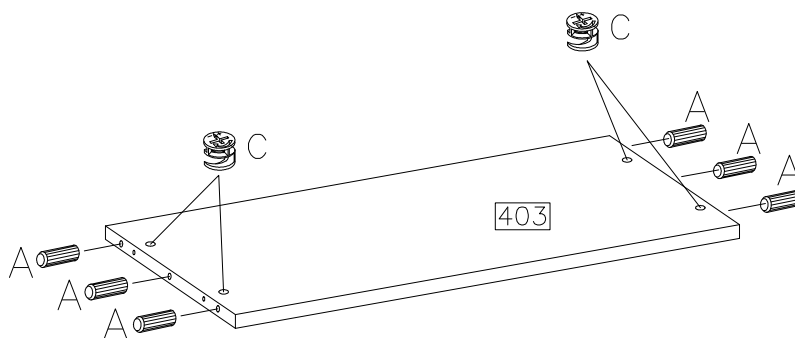
4

ø8x30mm


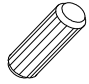

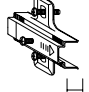




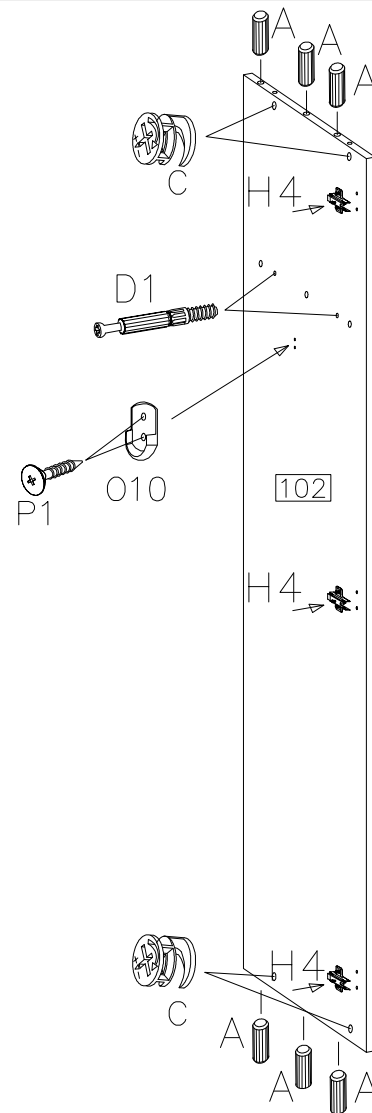
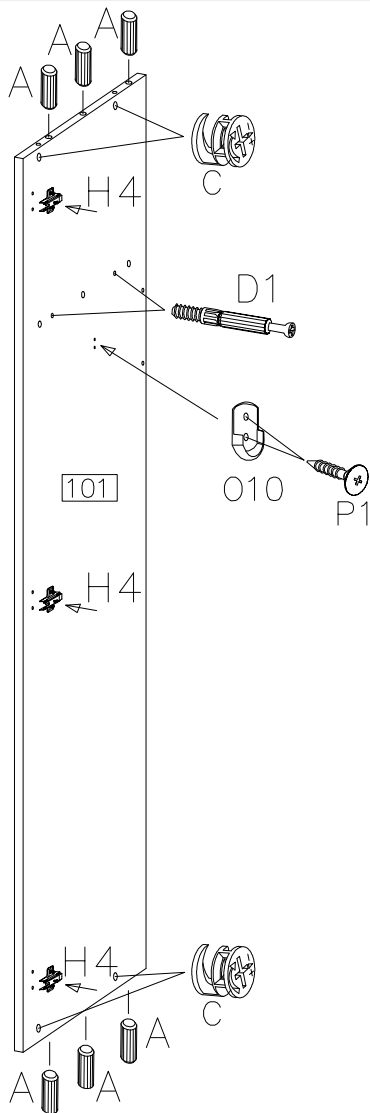
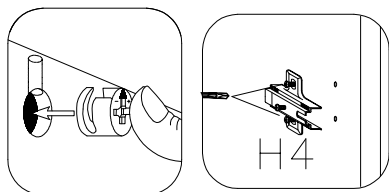
A

6

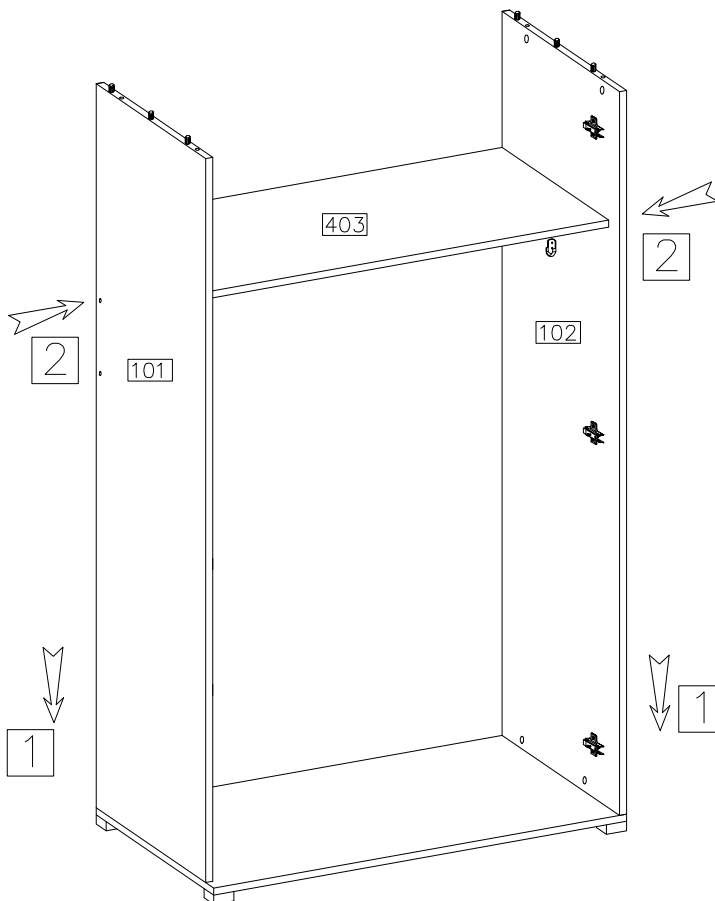
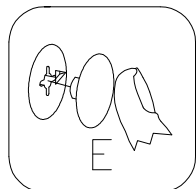
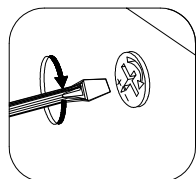
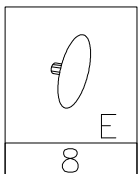


4

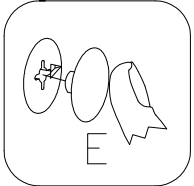
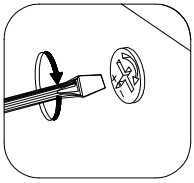
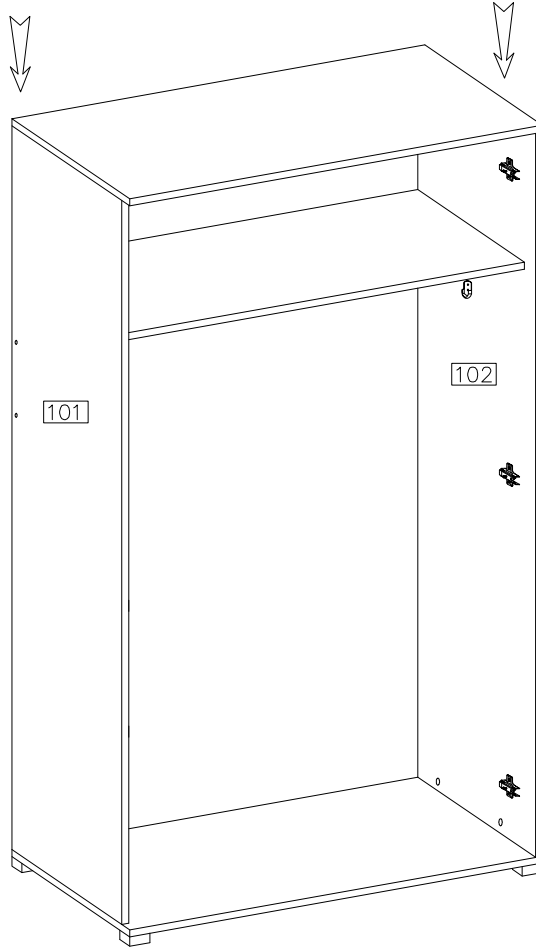
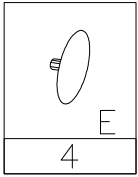
 D1	 A
4	12
 O10	 H4
2	6
ø4.0x16mm	
 P1	
4	
ø15/12mm	
 C	
8	



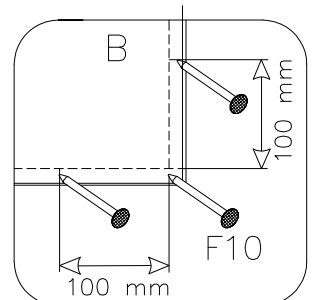
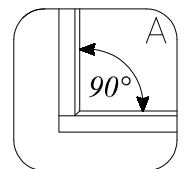
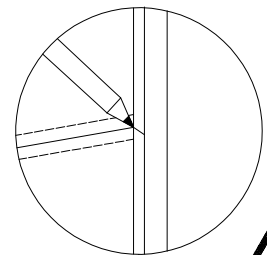
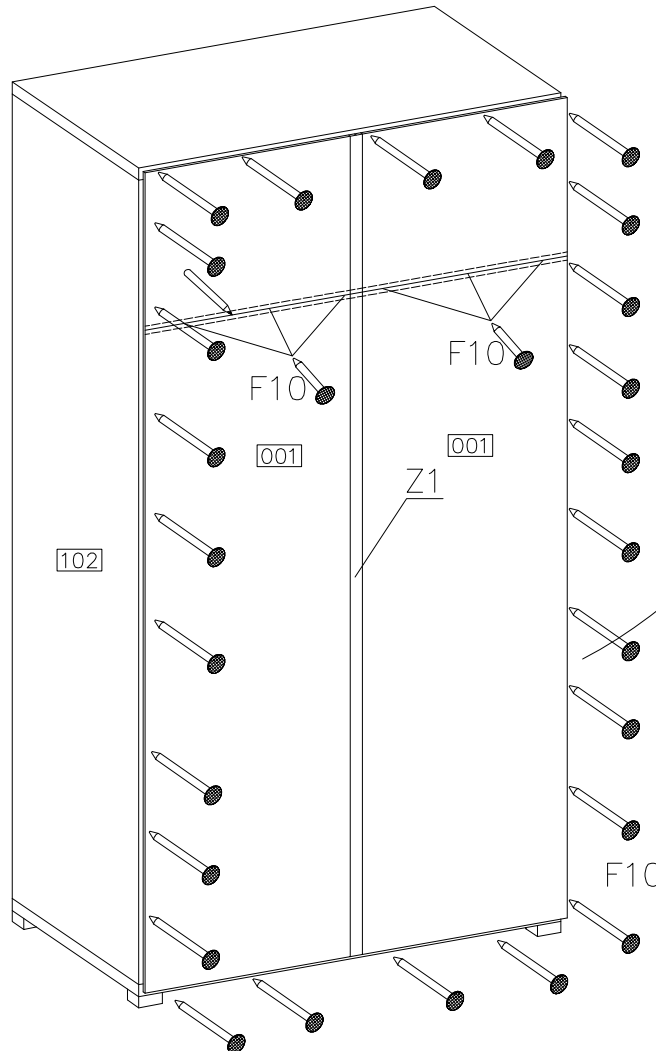
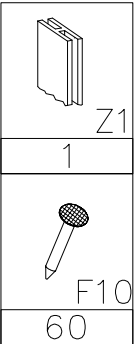
5



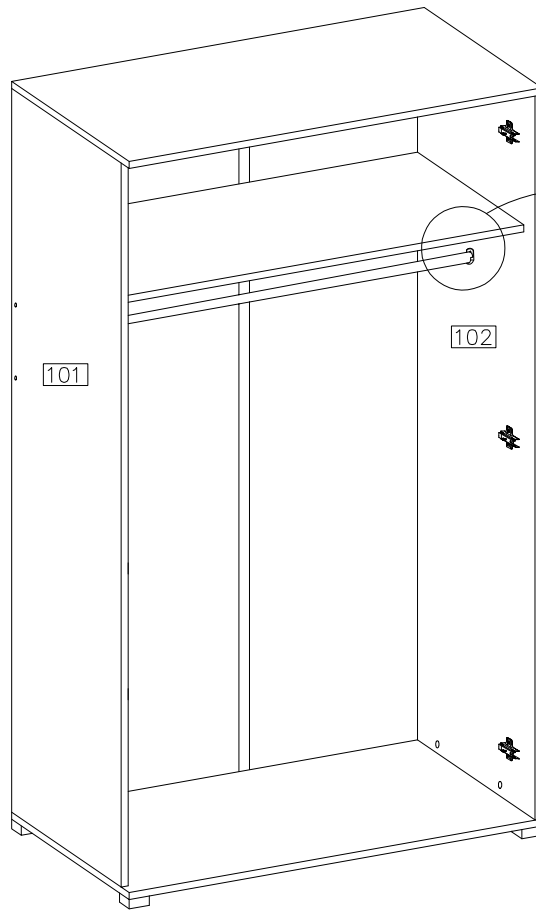
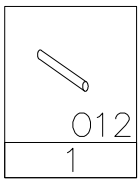
6



7



8



9

4.0x27mm



R2

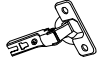
4



S1

2

ø35/KR-0



G6

3

ø4.0x16mm



P1

12

ø35/KR-15



G7

3

ø35/KR-0



G6

3



ø35/KR-15



G7

3

