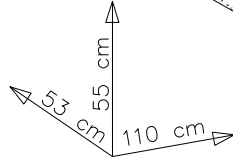
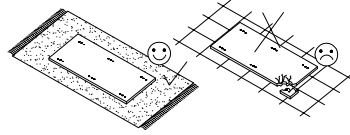
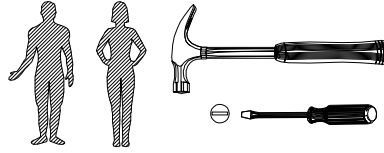
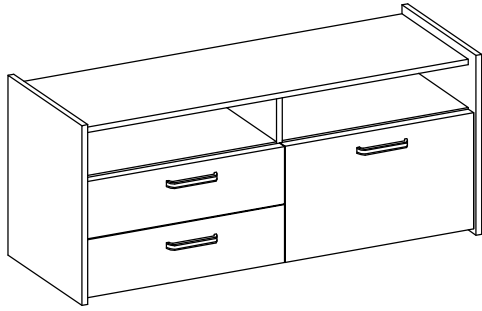
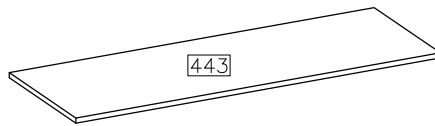
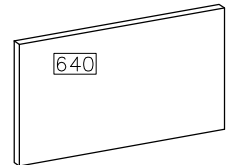
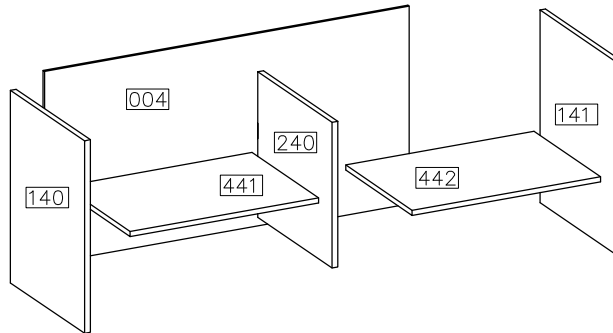
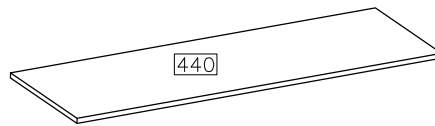


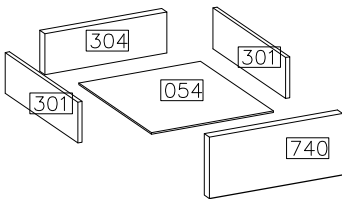
# MOKKA II DOŁEK RTV



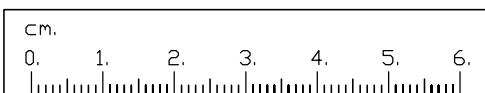
#	ART. NR	QUANTITY
1	440	1
2	441	1
3	442	1
4	443	1
5	140	1
6	141	1
7	240	1
8	004	1
9	740	2
10	301	4
11	304	2
12	054	2
12	640	1




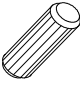

2x

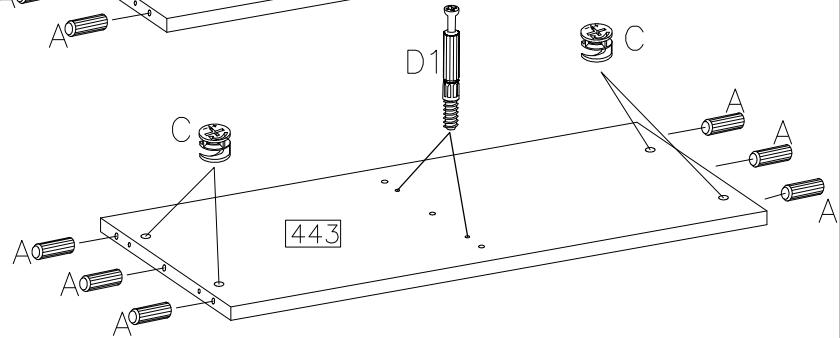
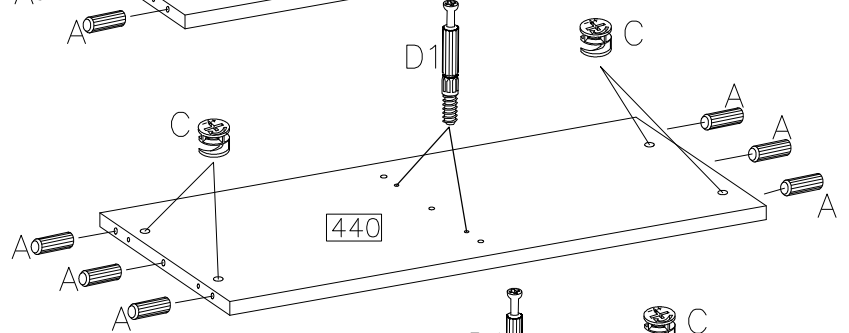
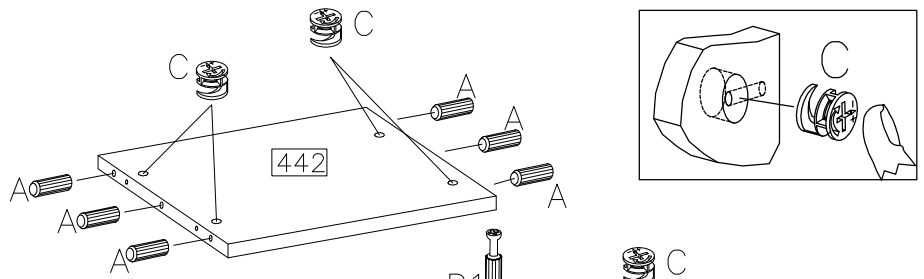
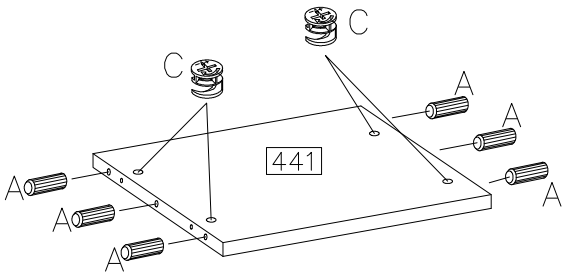


$\varnothing 8 \times 30 \text{mm}$ A	$\varnothing 15 / 12 \text{mm}$ D1	$\varnothing 15 / 12 \text{mm}$ C	$\varnothing 15 / 12 \text{mm}$ E	$\varnothing 15 / 12 \text{mm}$ F9	H=0 H4	$\varnothing 35 / \text{KR}-15$ G7	$\varnothing 4.0 \times 16 \text{mm}$ P1
46	20	20	20	4	2	2	12
$4.0 \times 27 \text{mm}$ F10	$4.0 \times 27 \text{mm}$ R2	$3.5 \times 13 \text{mm}$ S1	$3.5 \times 13 \text{mm}$ P2	L-350 PR	$4.0 \times 35 \text{mm}$ O11	$4.0 \times 35 \text{mm}$ R3	$4.0 \times 35 \text{mm}$ F4
50	6	3	8	2KPL	2	2	1



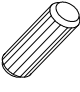





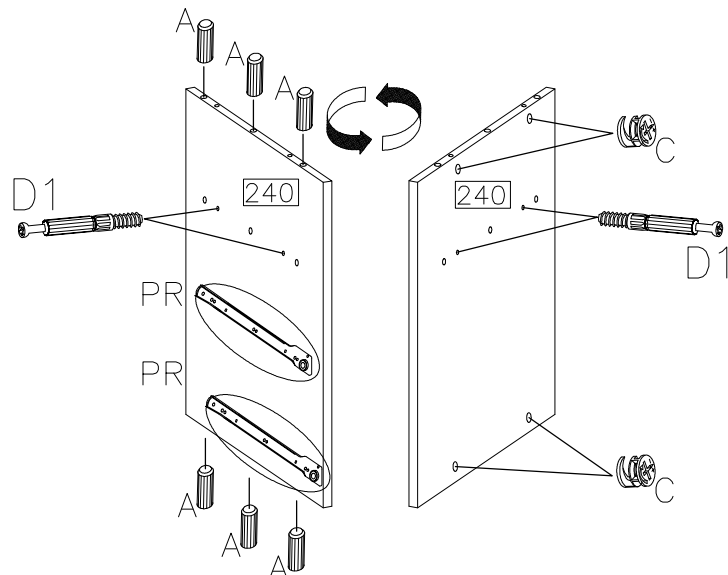
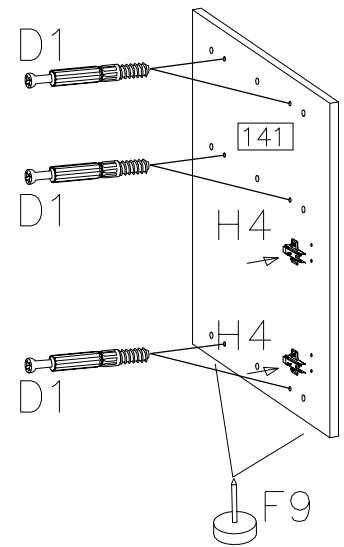
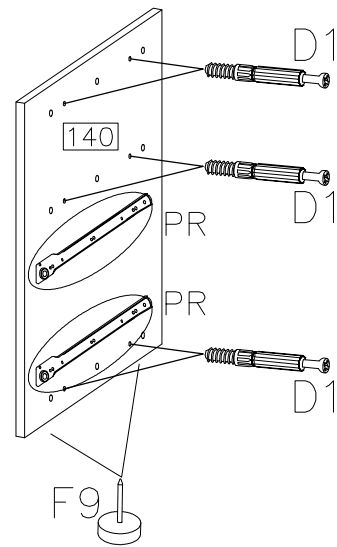
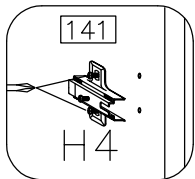
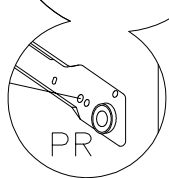
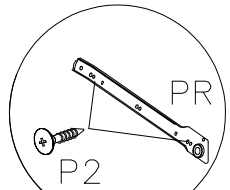
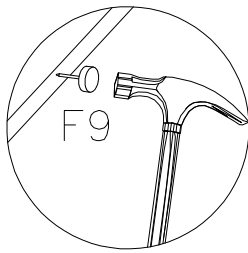
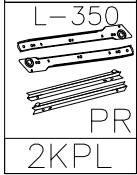
1

$\varnothing 15/12\text{mm}$ 	$\varnothing 8 \times 30\text{mm}$ 	
C 16	A 24	D1 4

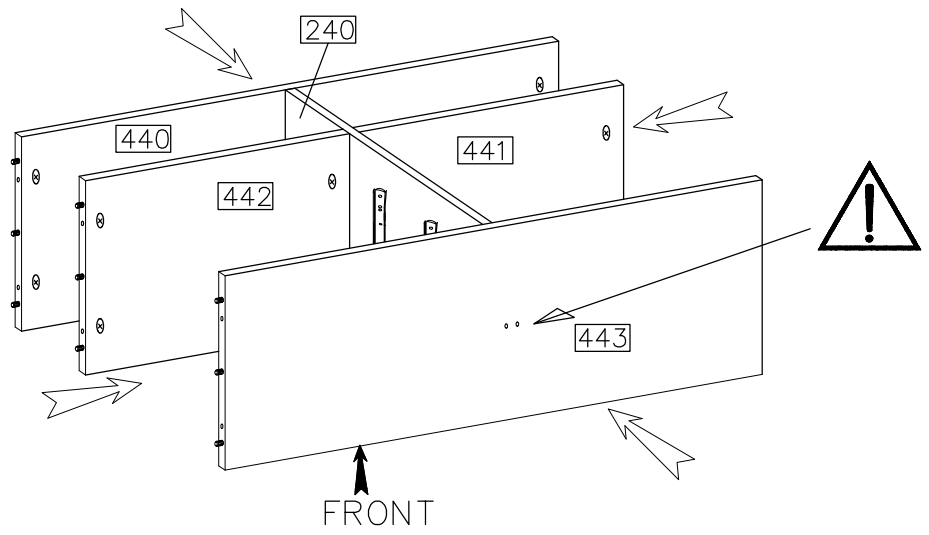
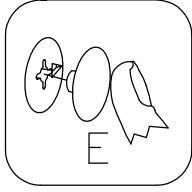
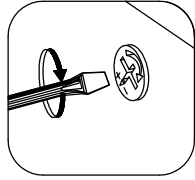
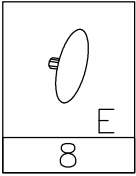


2

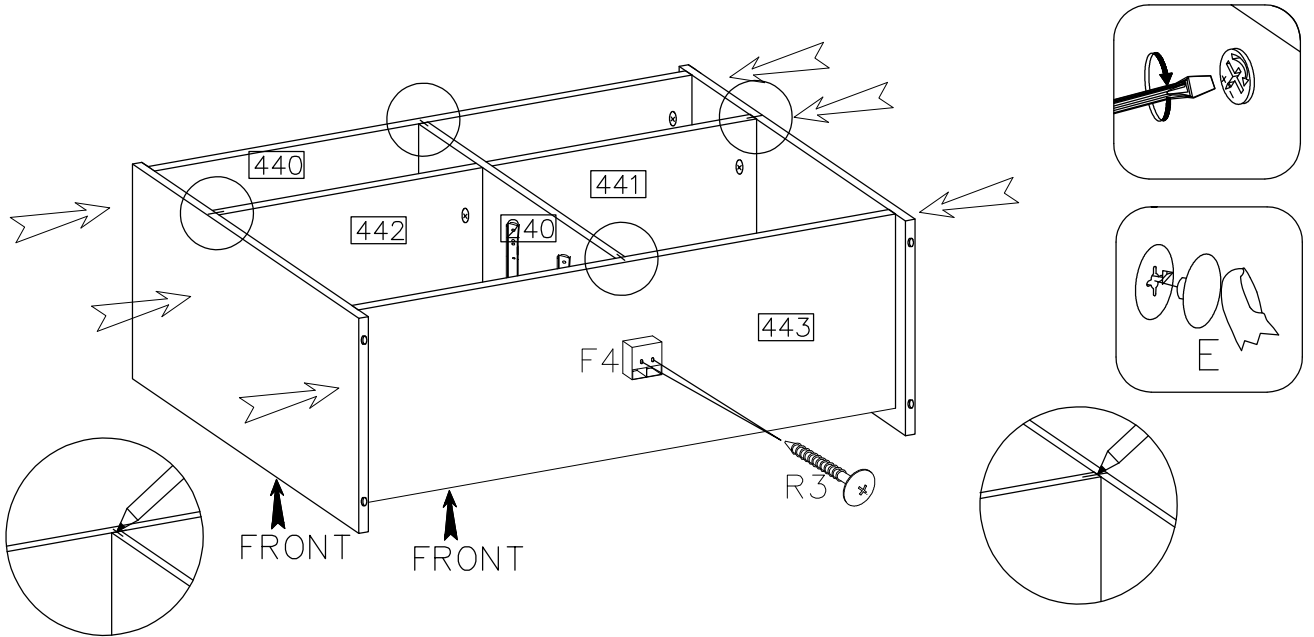
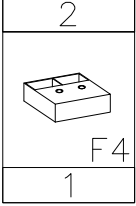
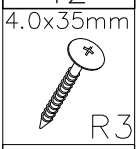
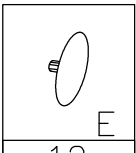
	$3.5 \times 13\text{mm}$ 	$\varnothing 8 \times 30\text{mm}$ 
D1 16	P2 8	A 6
	$H=0$ 	$\varnothing 15/12\text{mm}$ 
F9 4	H4 2	C 4



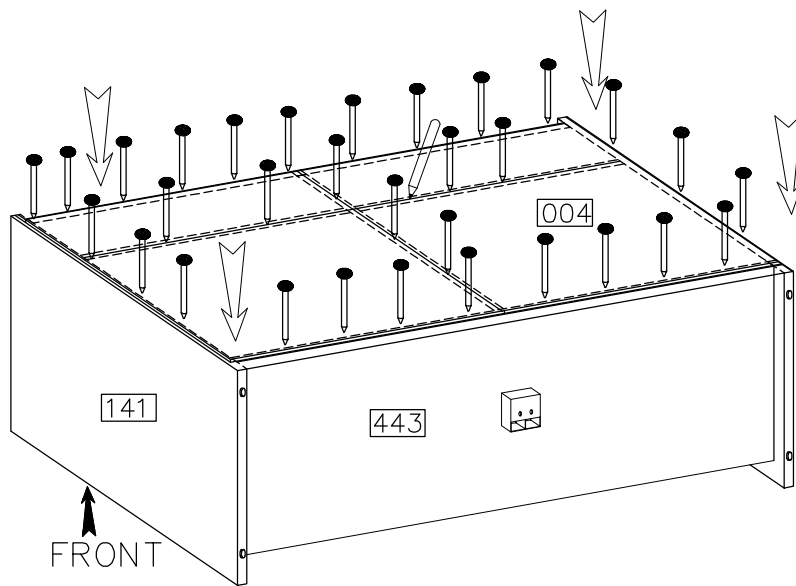
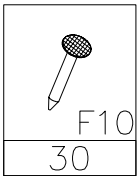
3



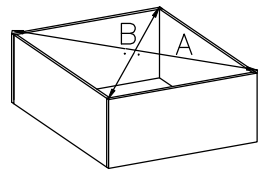
4



5



A=B



6

ø8x30mm



A

16

011

7



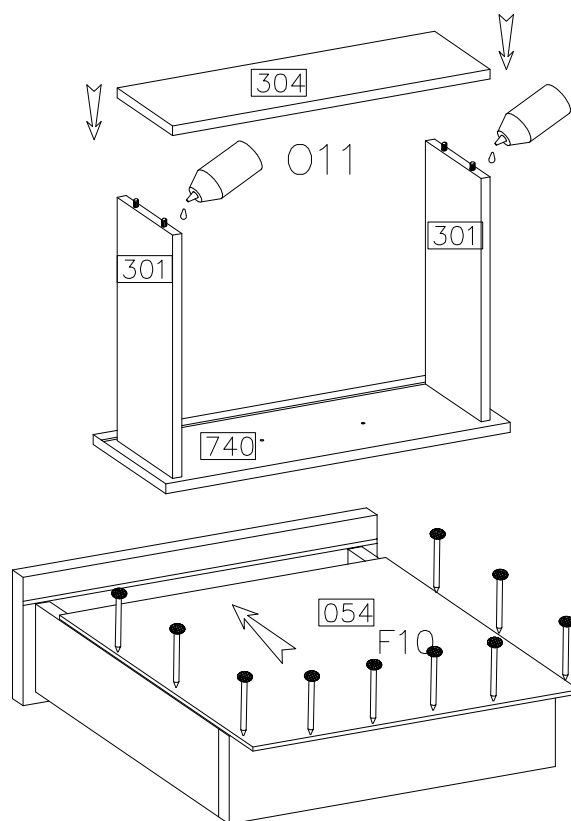
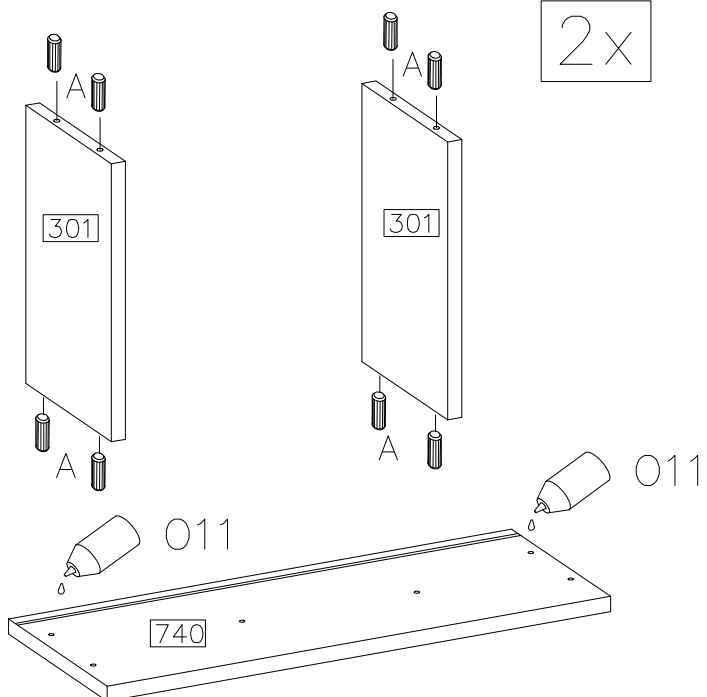
F10

20

011

2x

2x



8

4.0x27mm



R2

4



S1

2

2x

9

L-350



PR

2KPL

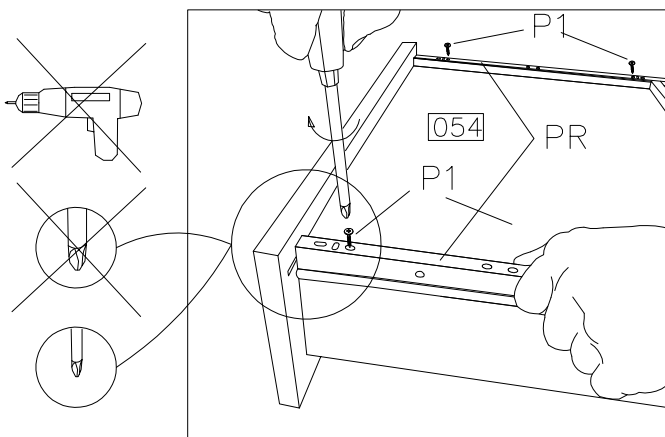
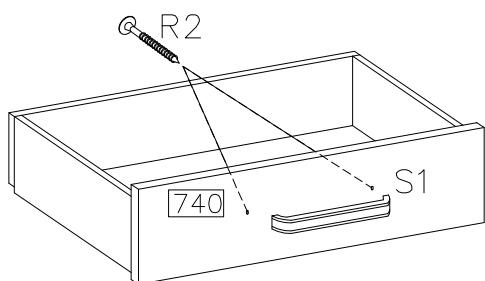
ø4.0x16mm



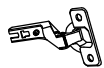



P1

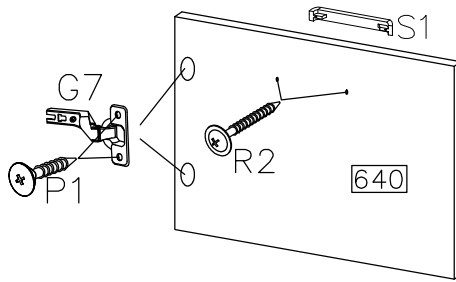
8

2x

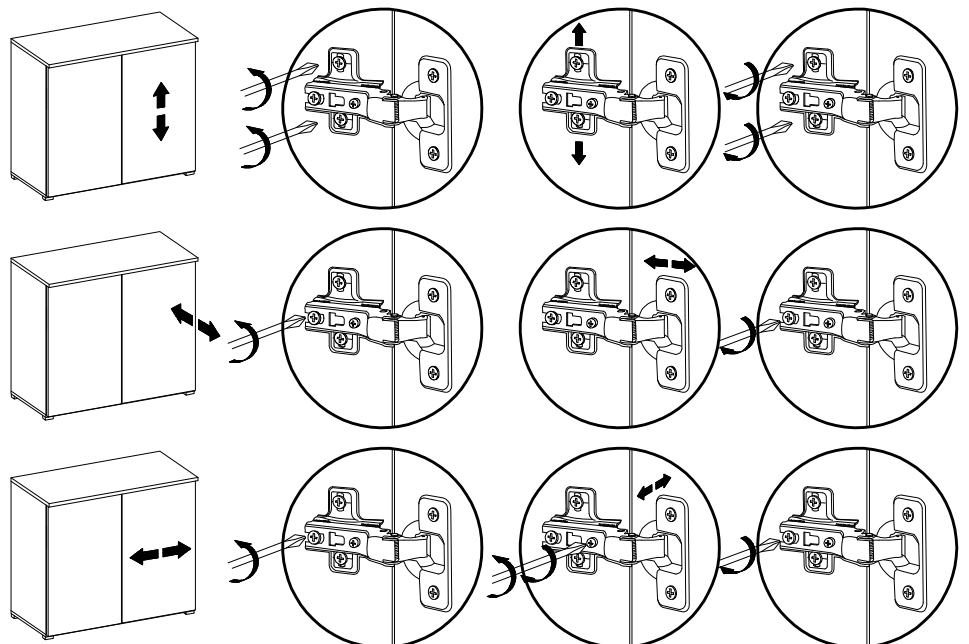
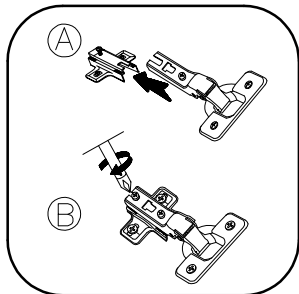
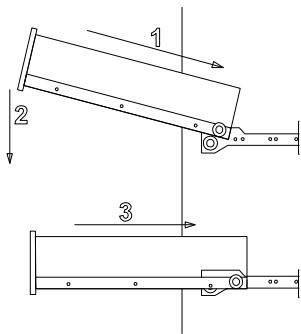
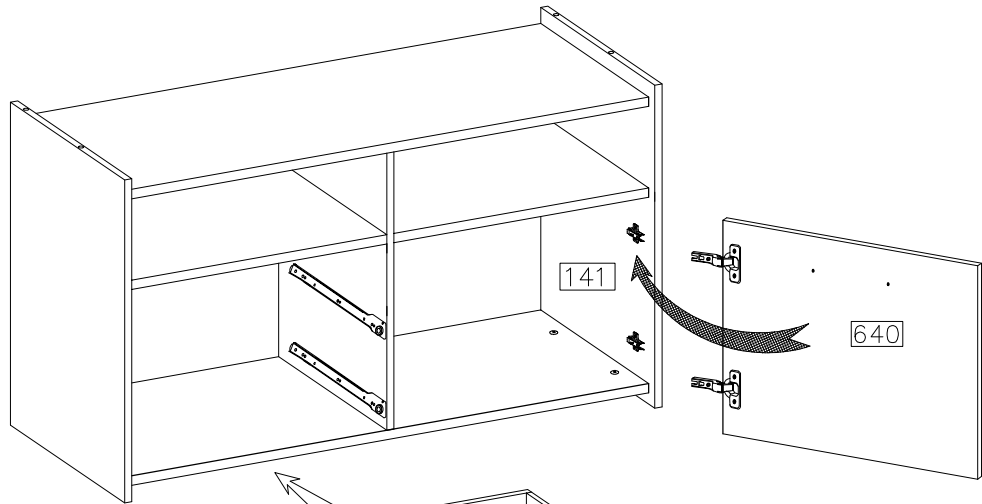


10

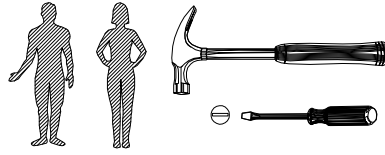
 G7 2	 R2 2
ø4.0x16mm  P1 4	 S1 1



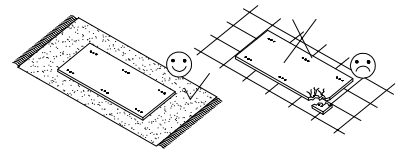
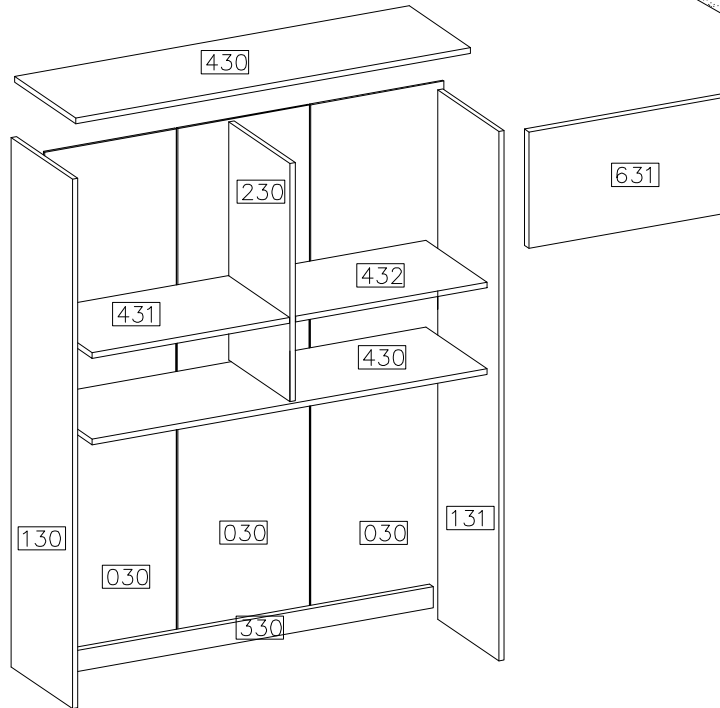
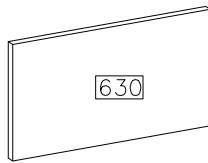
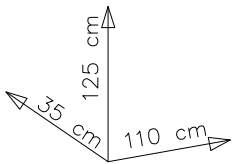
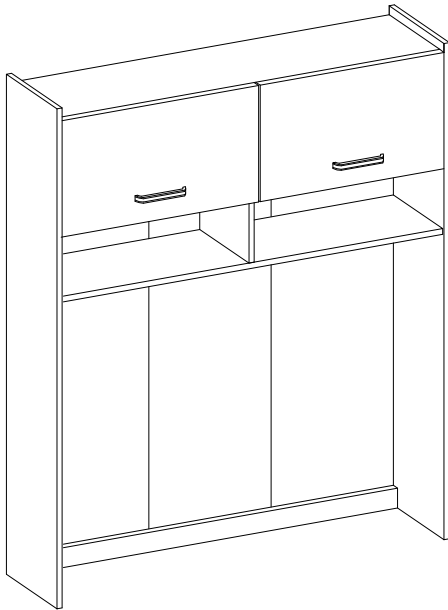
11



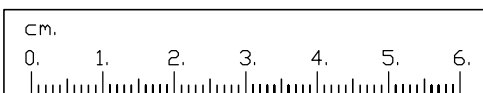
# MOKKA II NADSTAWKA RTV




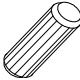

#	ART. NR	QUANTITY
1	430	2
2	431	1
3	432	1
4	130	1
5	131	1
6	230	1
7	630	1
8	631	1
9	030	3
10	330	1

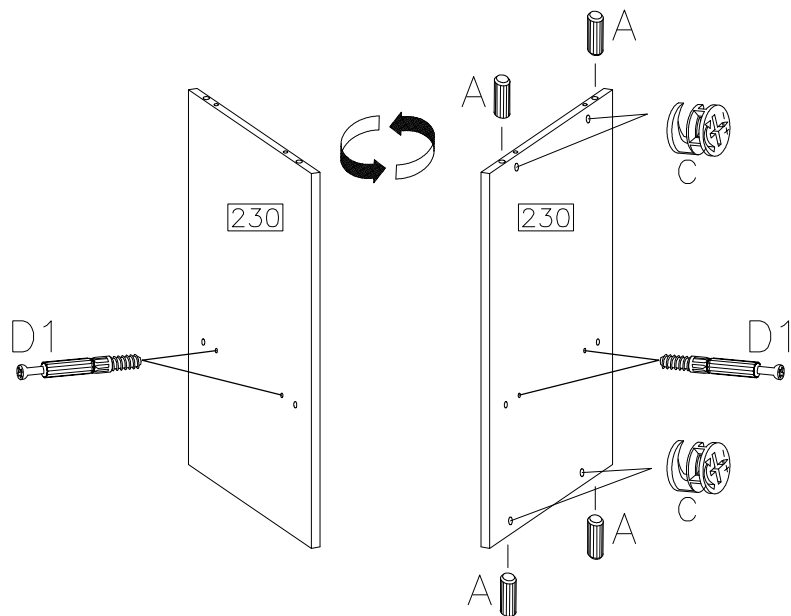
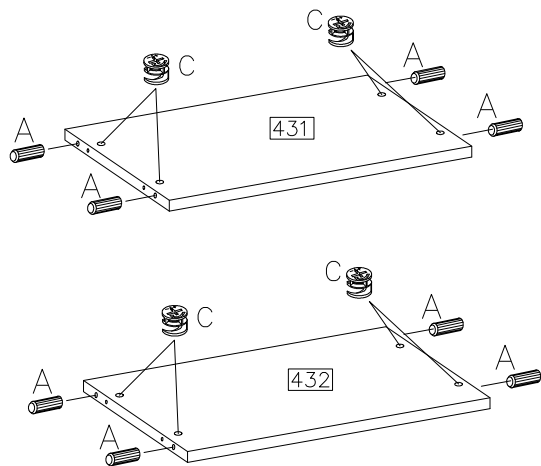
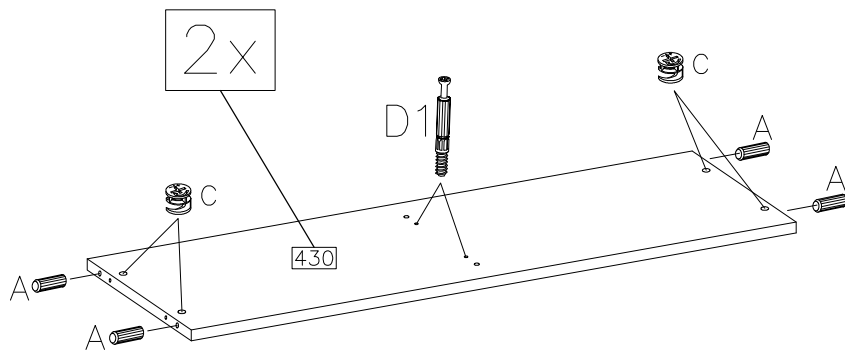
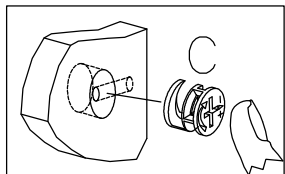


20	20	26	20	30	4	2
21	4	4	2	2		






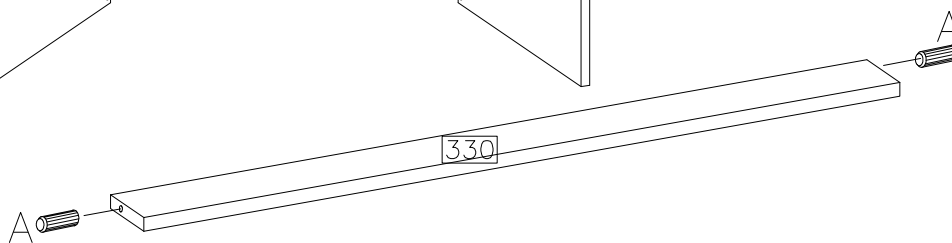
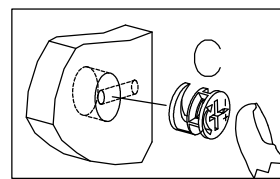
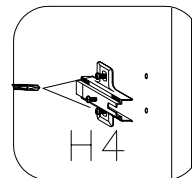
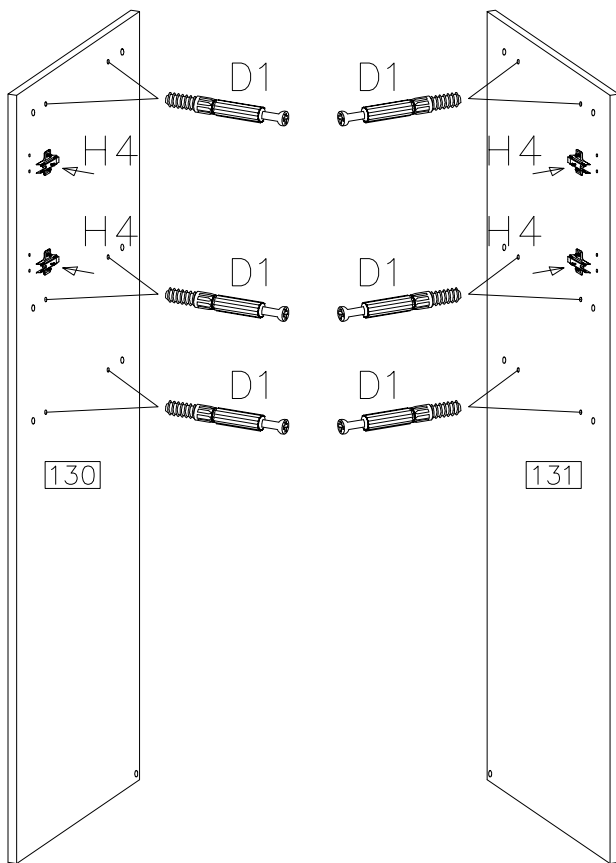
1

 C	 A	 D1
20	20	8

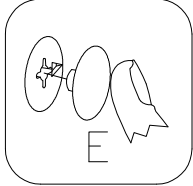
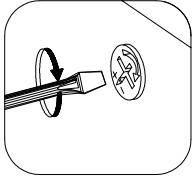
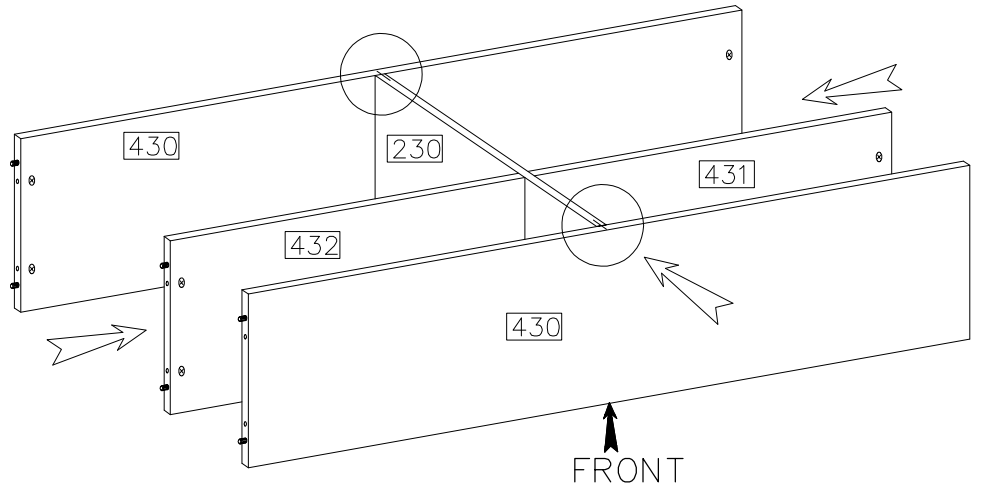
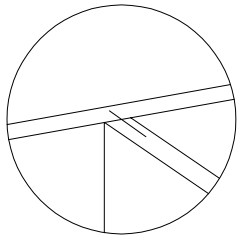
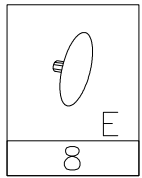


2

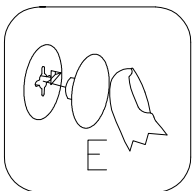
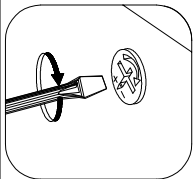
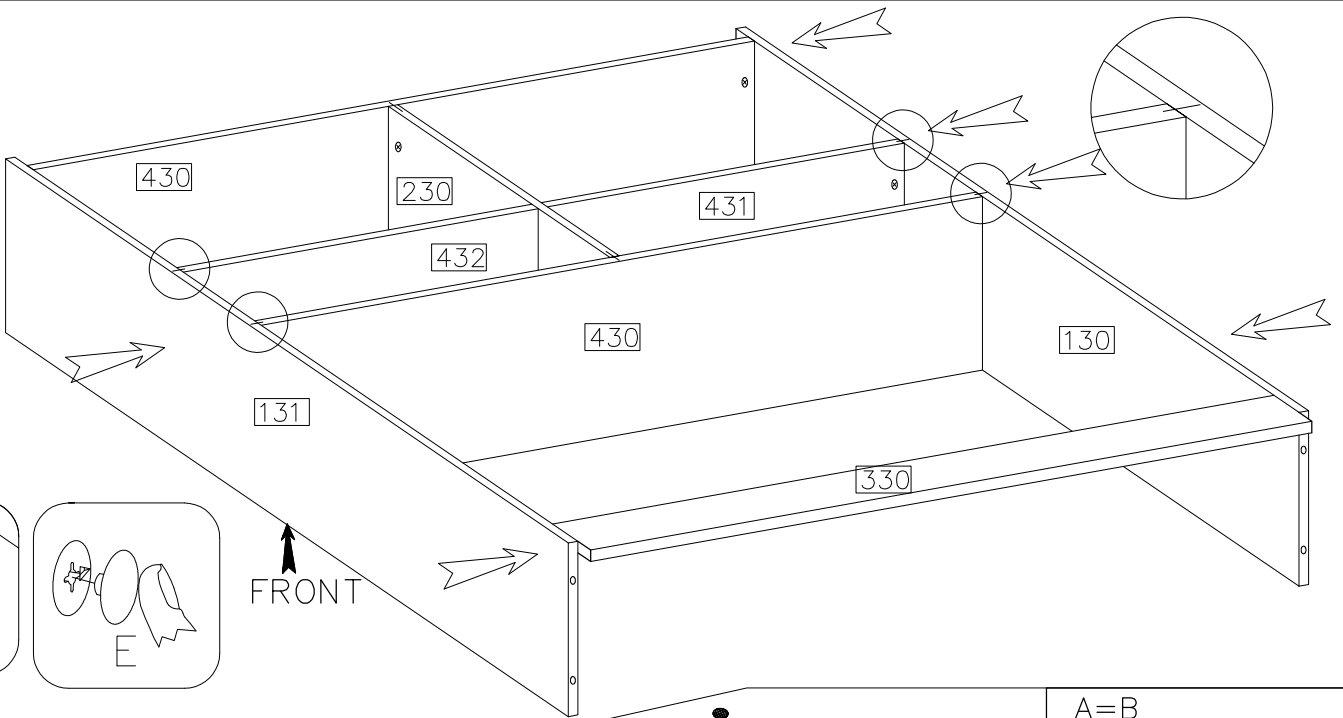
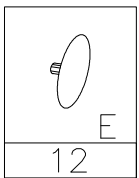
 D1
12 H=0
 H4
4
 A
2



3



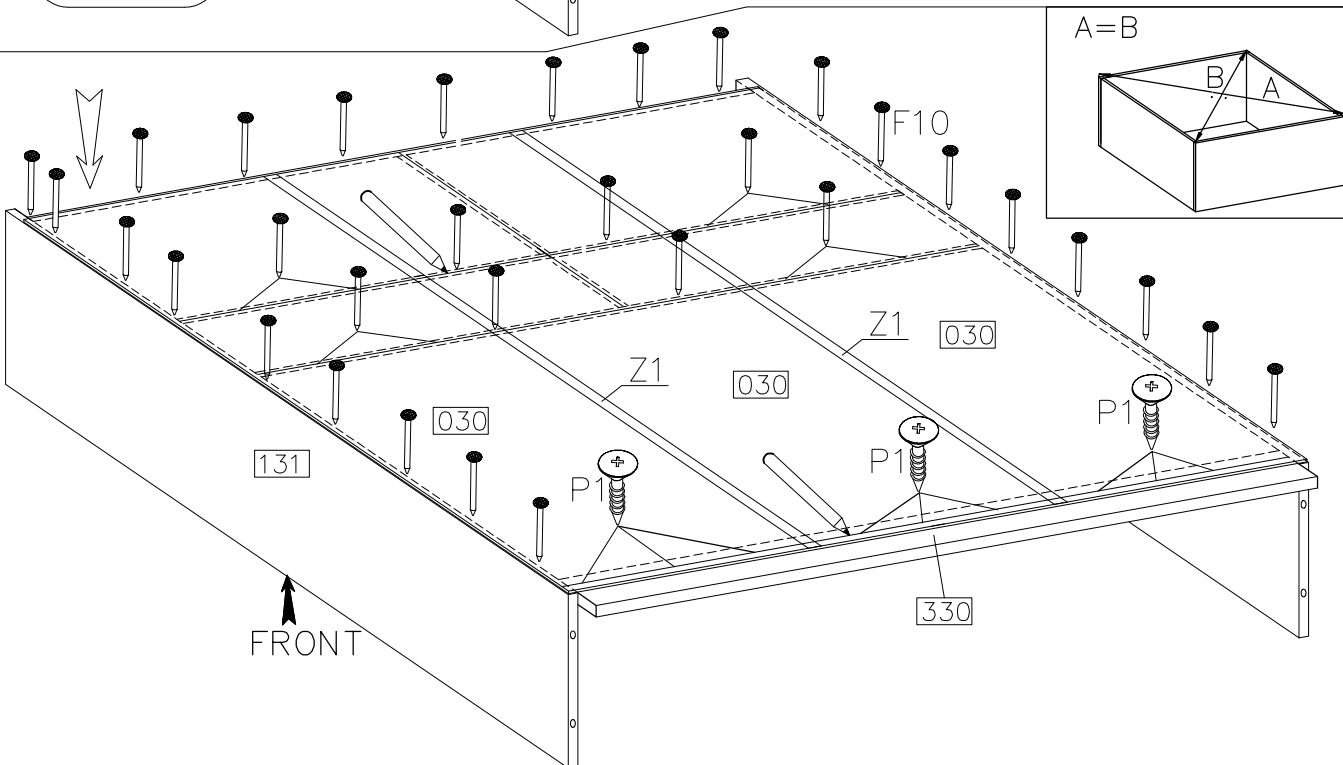
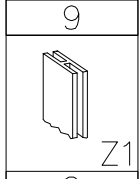
4



5

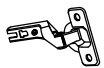





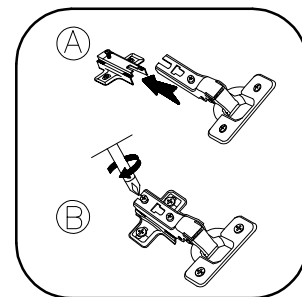
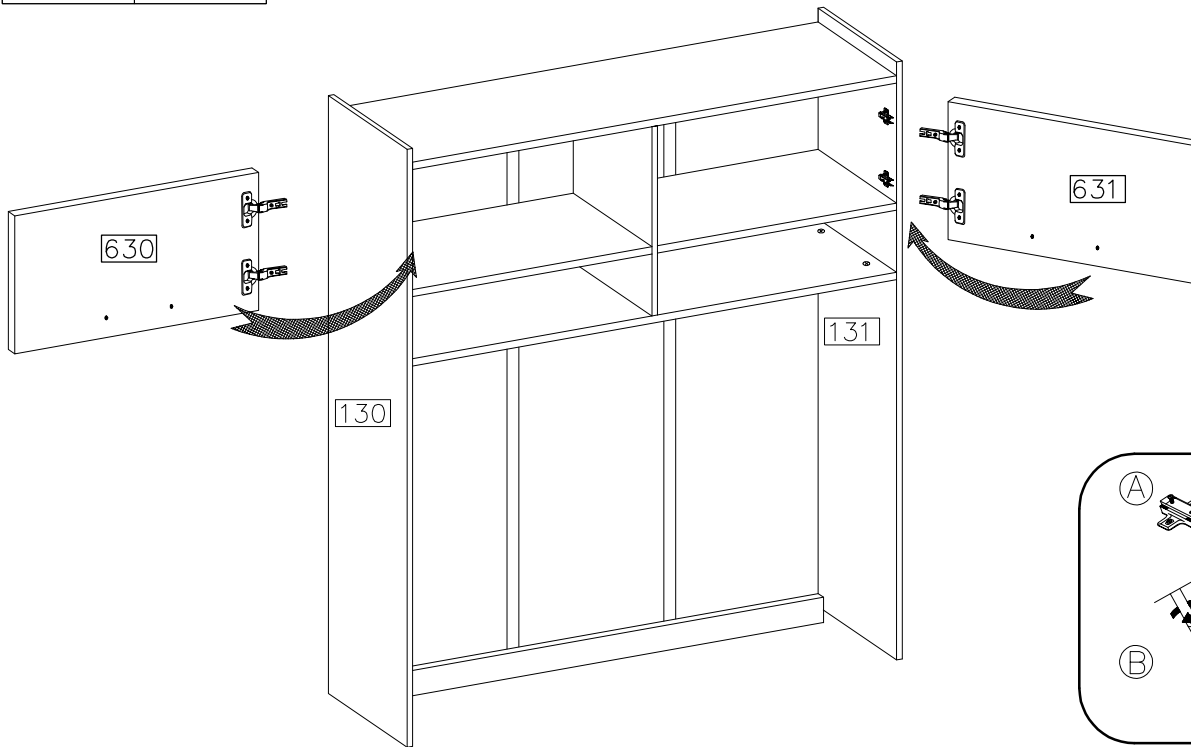
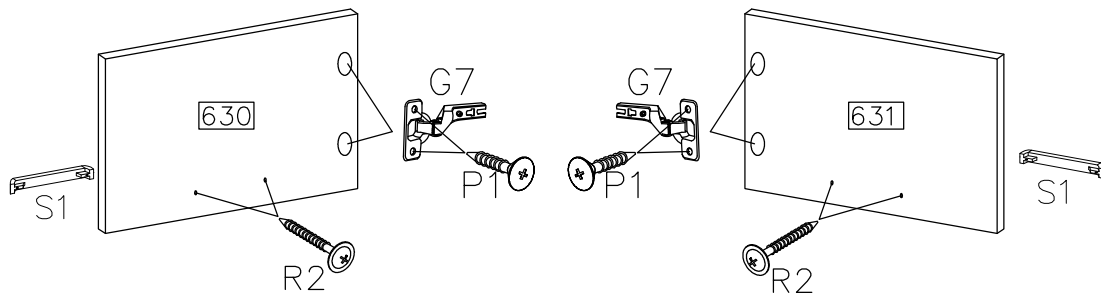
ø4.0x16mm



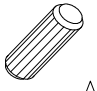




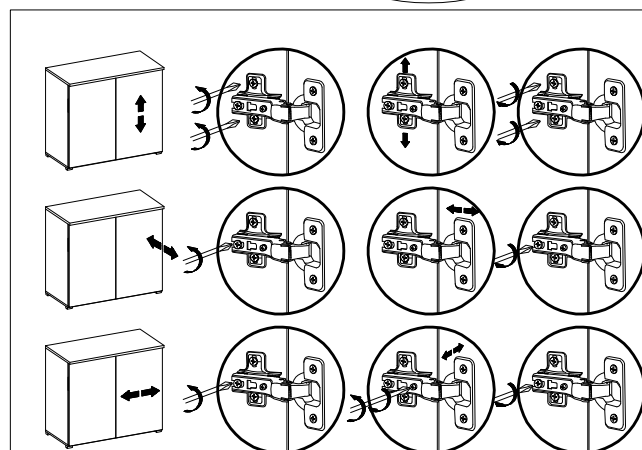
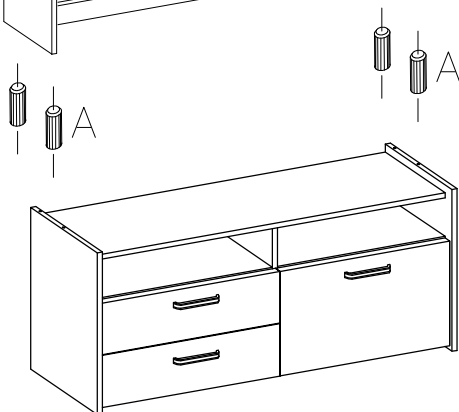
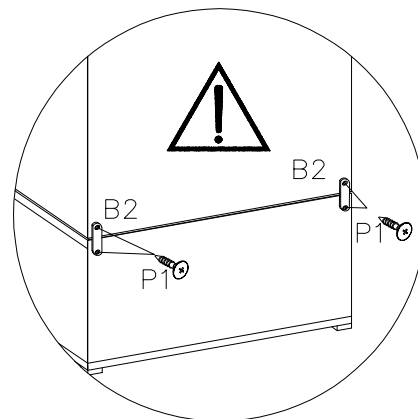
6

 G7 4	 P1 8 4.0x16mm
 R2 4	 S1 2



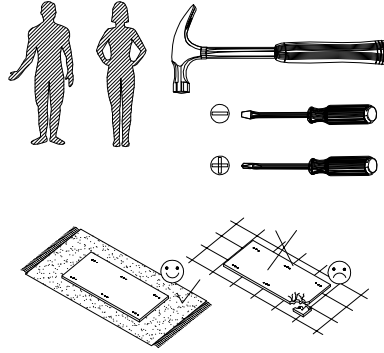
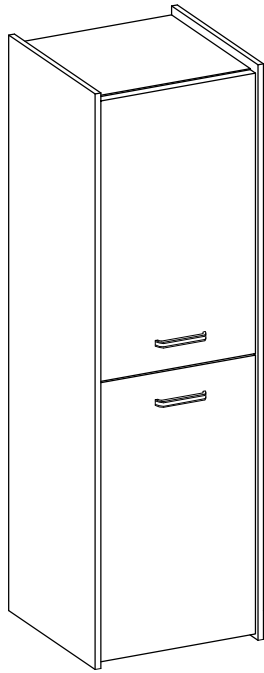
7

 A 4 4.0x16mm
 P1 4
 B2 2

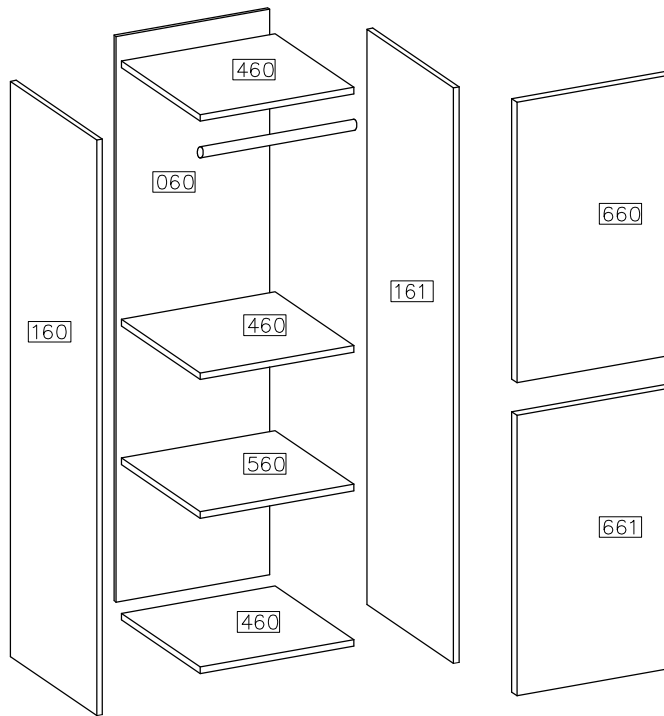
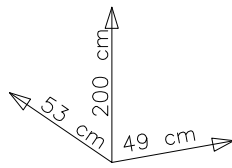


# MOKKA II

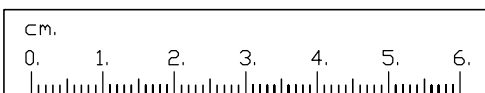
## 0,5-SZAFA




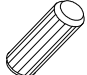
#	ART. NR	QUANTITY
1	460	3
2	560	1
3	160	1
4	161	1
5	060	1
6	660	1
7	661	1

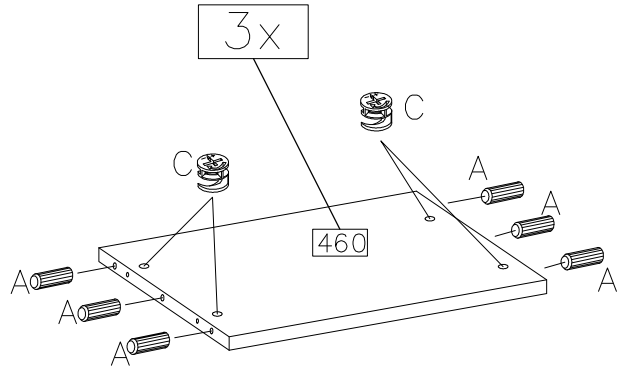
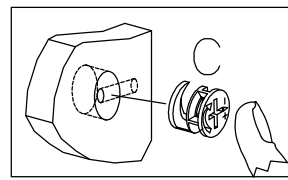


 A 18	 D1 12	 C 12	 E 12	 F9 4	 H=0 H4 4	 ø35/KR-15 G7 4	 P1 ø4.0x16mm 8
 F10 50	 J4 4	 4.0x27mm R2 4	 S1 2	 O10 2	 3.5x13mm P2 4	 O12 1	




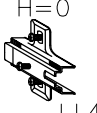




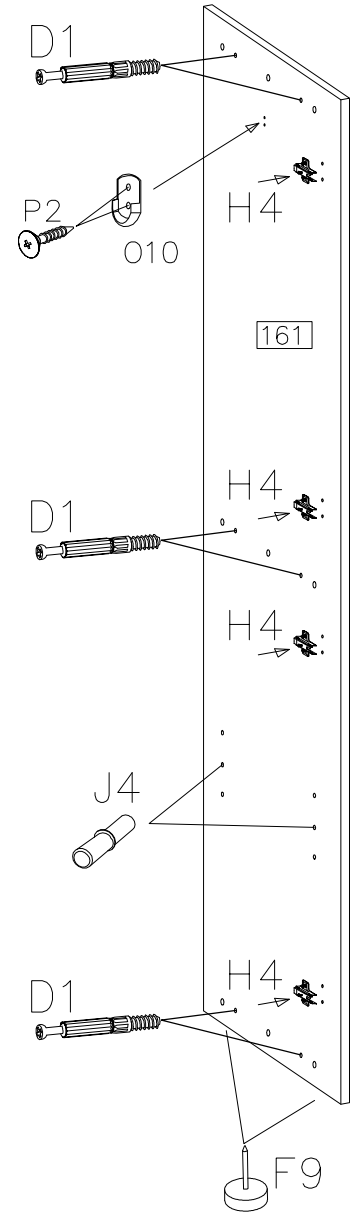
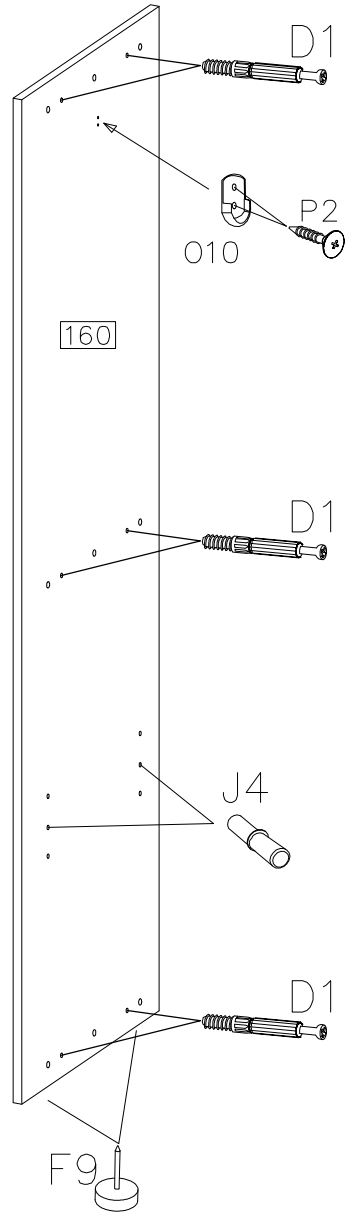
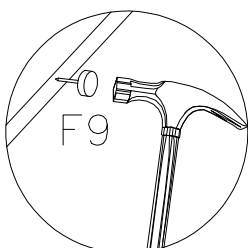
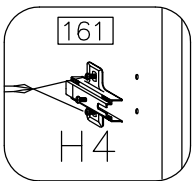
1

 C 12	 A 18
---	---

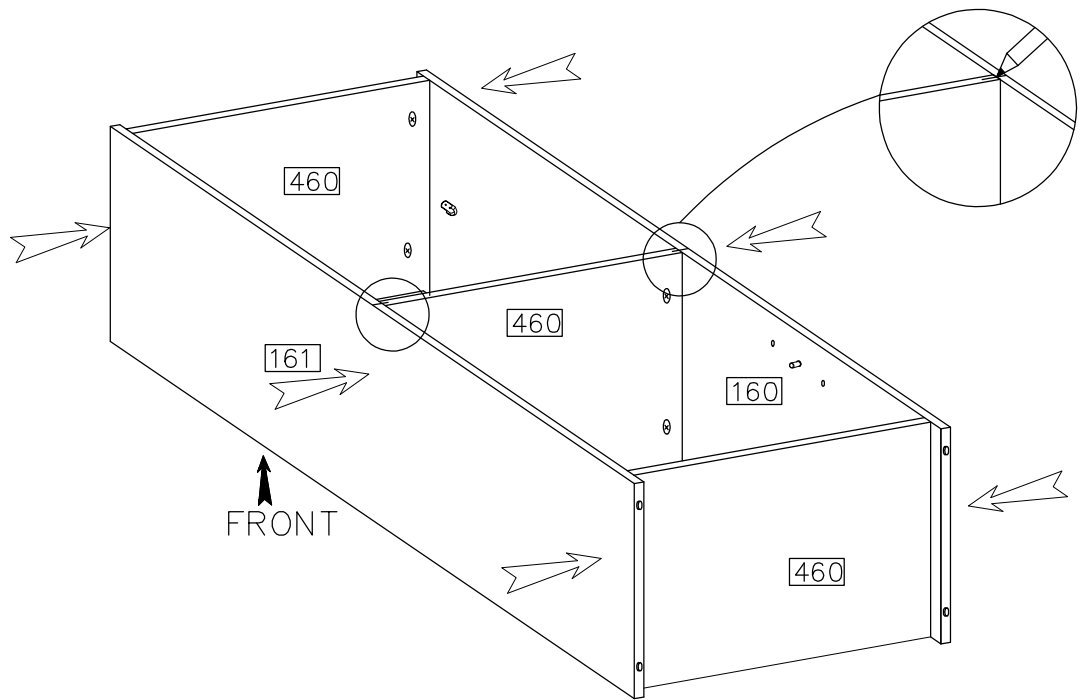
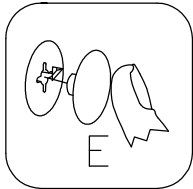
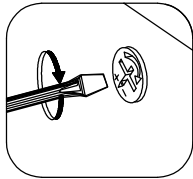
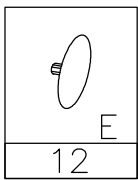


2

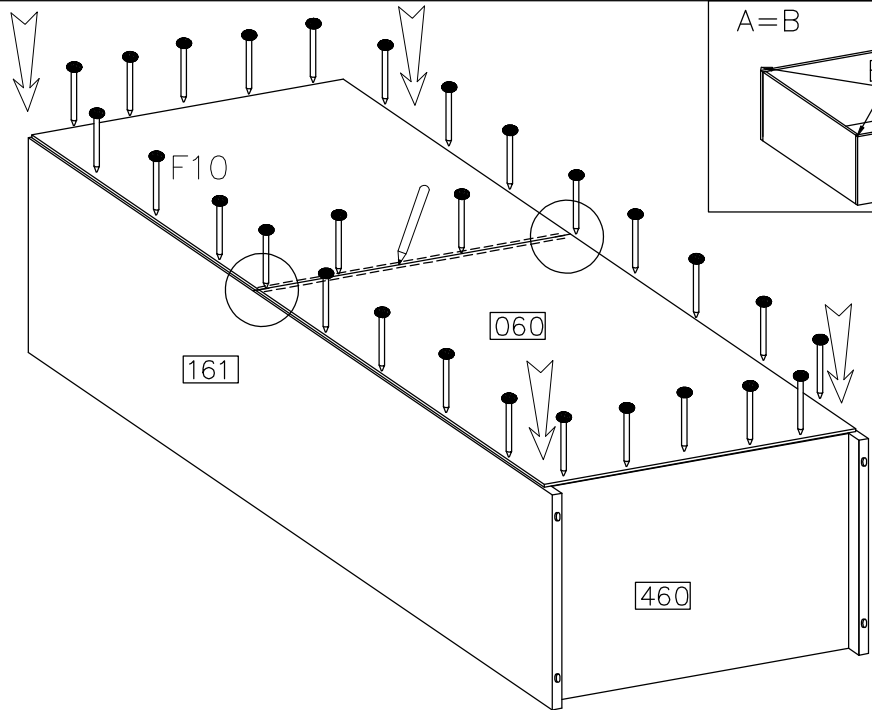
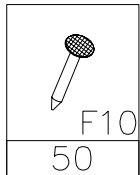
 D1 12	3.5x13mm  P2 4
 F9 4	 H=0 H4 4
 O10 2	 J4 4



3

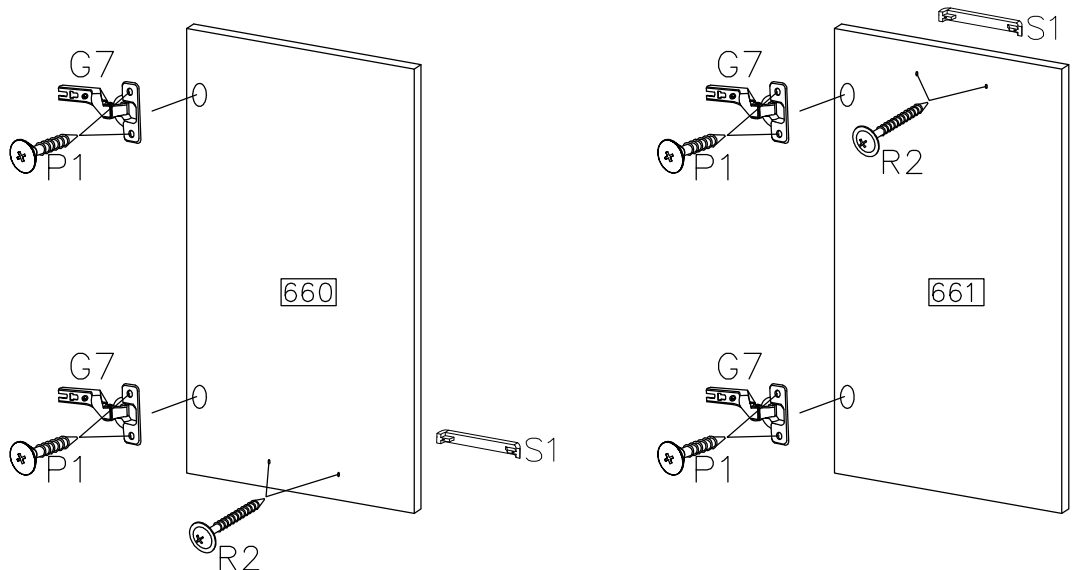


4

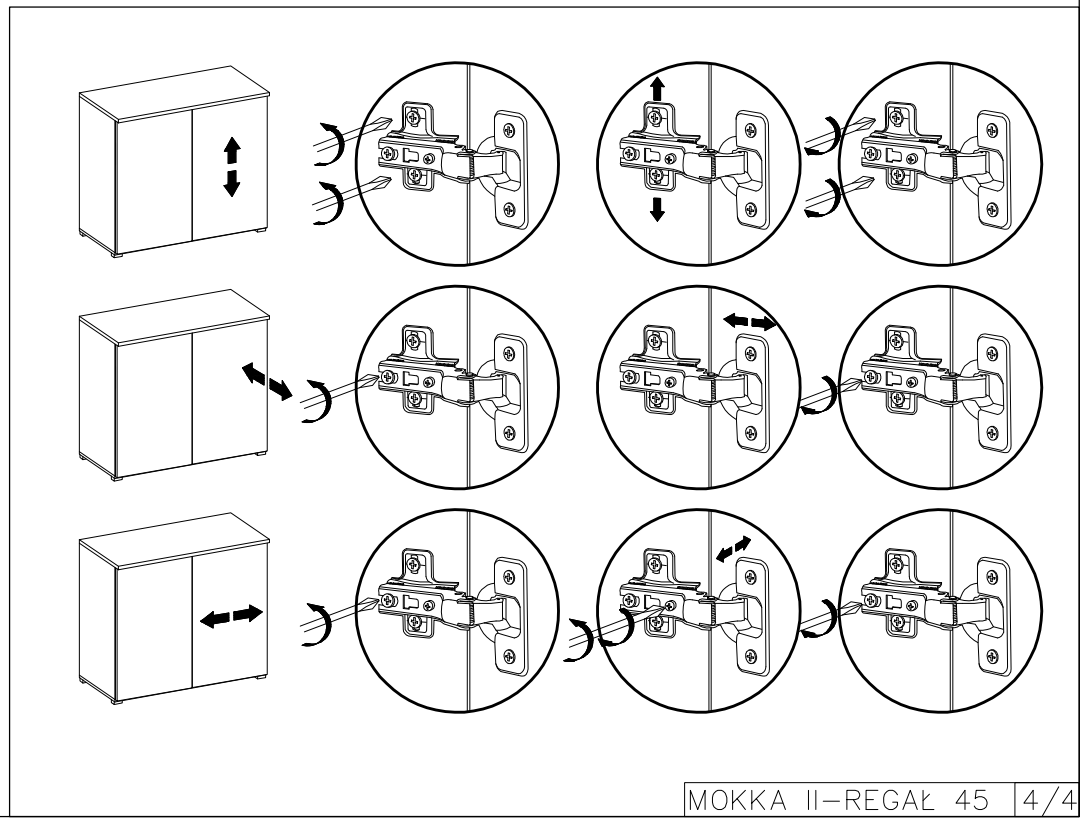
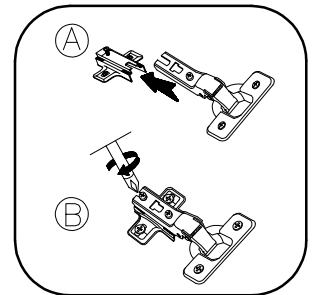
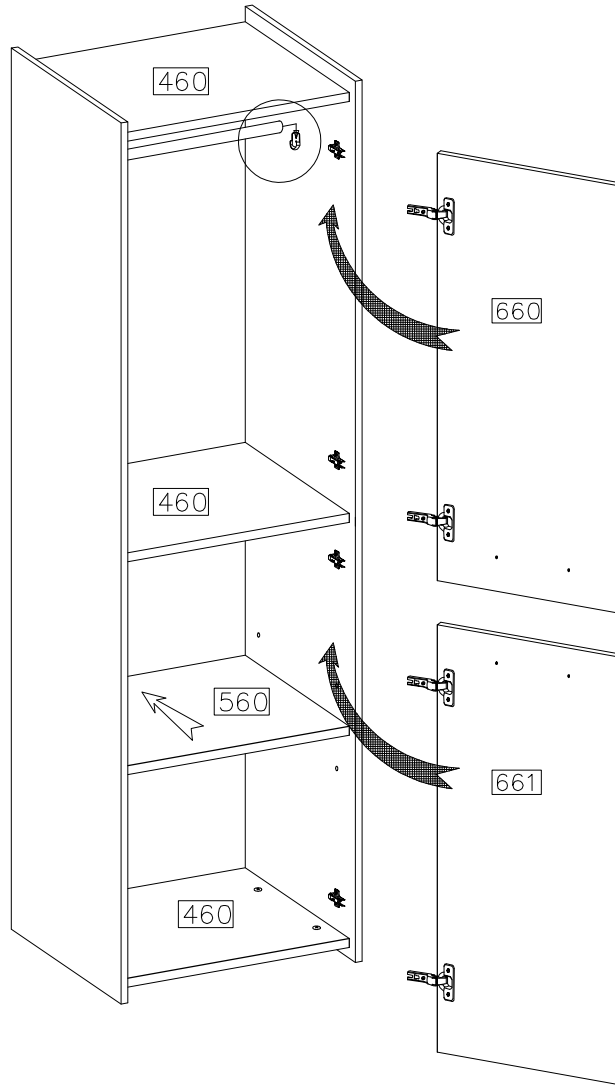
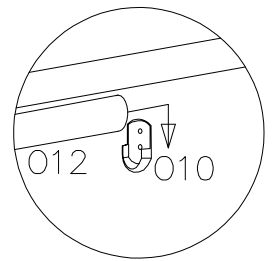
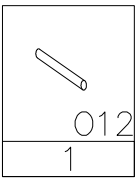


5

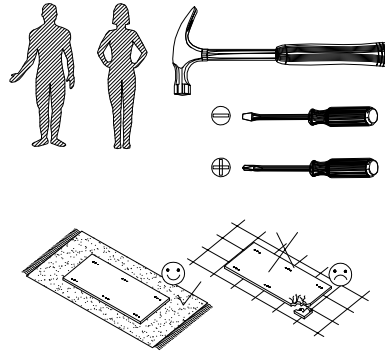
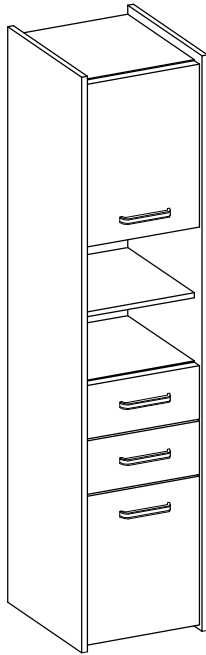
$\varnothing 35/KR-15$ 	$\varnothing 4.0 \times 16mm$ 
G7 4	P1 8
$4.0 \times 27mm$ 	
R2 4	S1 2



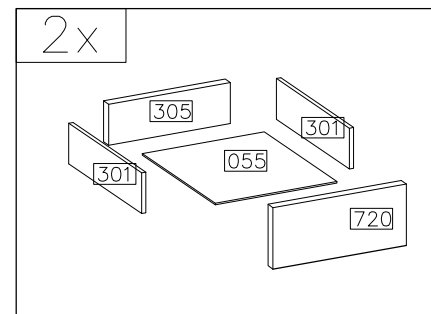
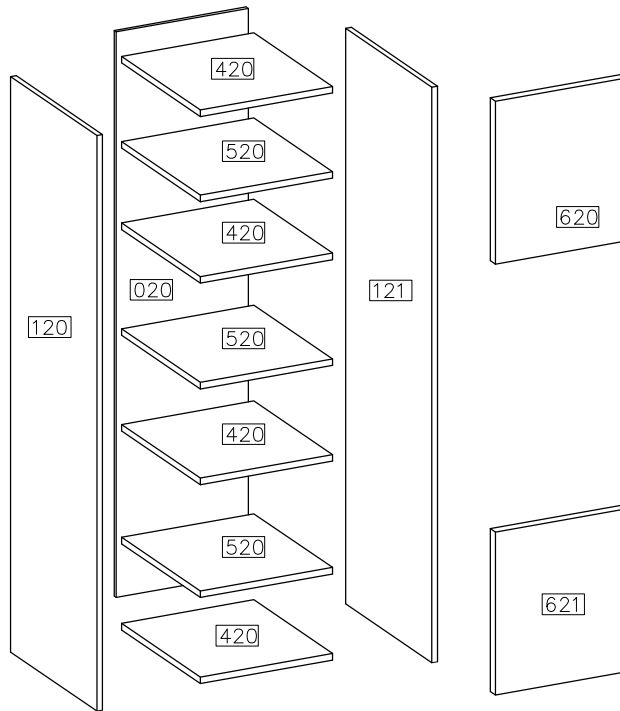
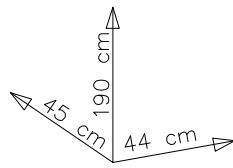
6



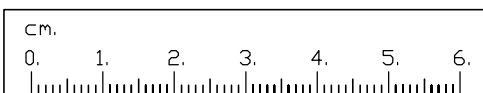
# MOKKA II REGAŁ 45




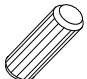
#	ART. NR	QUANTITY
1	420	4
2	520	3
3	120	1
4	121	1
5	020	1
6	620	1
7	621	1
8	720	2
9	301	4
10	305	2
11	055	2

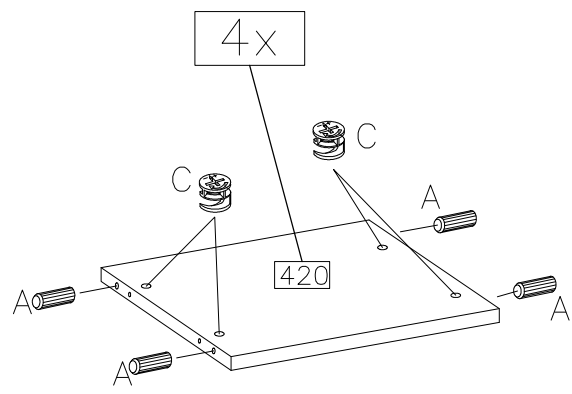
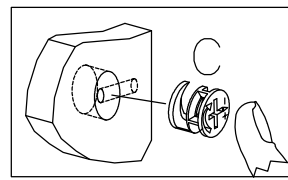


 A 32	 D1 16	 C 16	 E 16	 F9 4	 H=0 H4 4	 ø35/KR-15 G7 4	 ø4.0x16mm P1 16
 F10 60	 J4 12	 4.0x27mm R2 8	 S1 4	 3.5x13mm P2 8	 L-350 PR 2KPL	 O11 2	




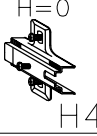




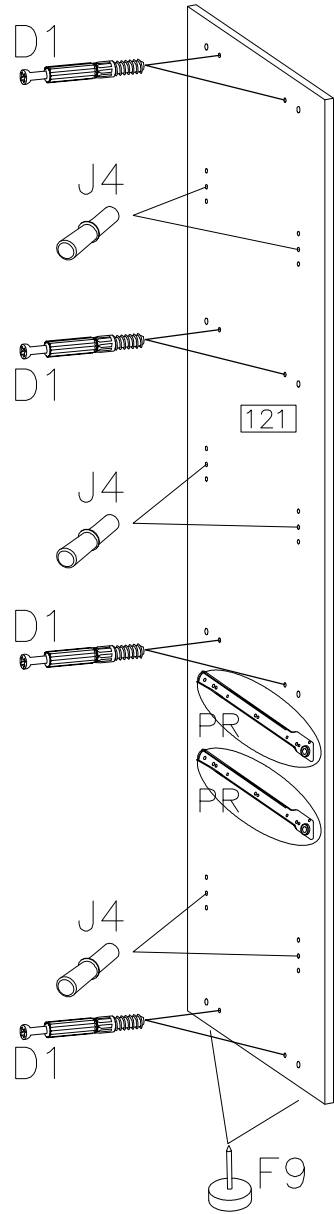
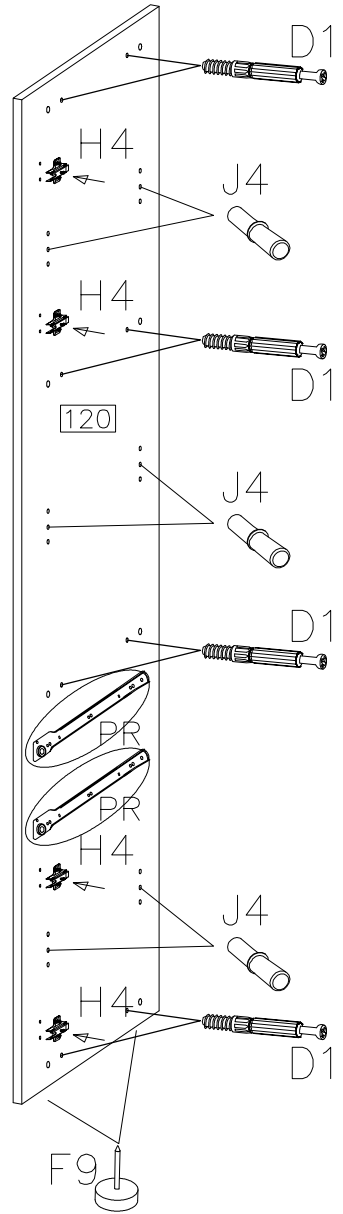
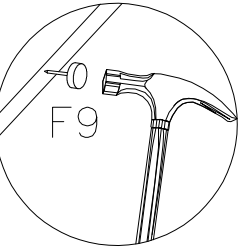
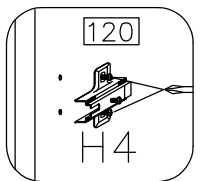
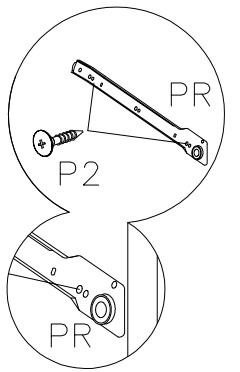
1

 C 16	 A 16
---	---

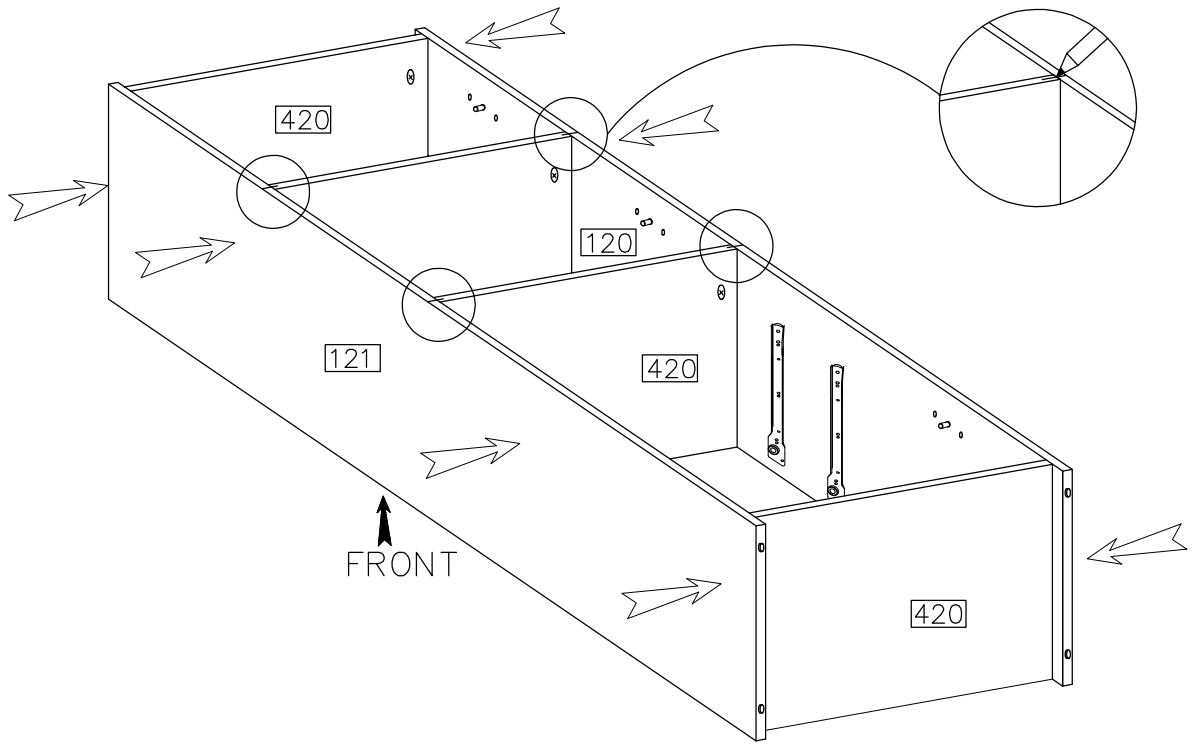
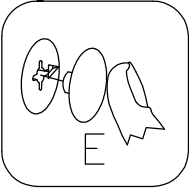
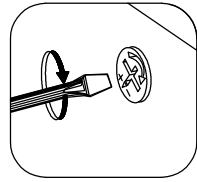
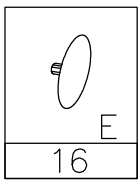


2

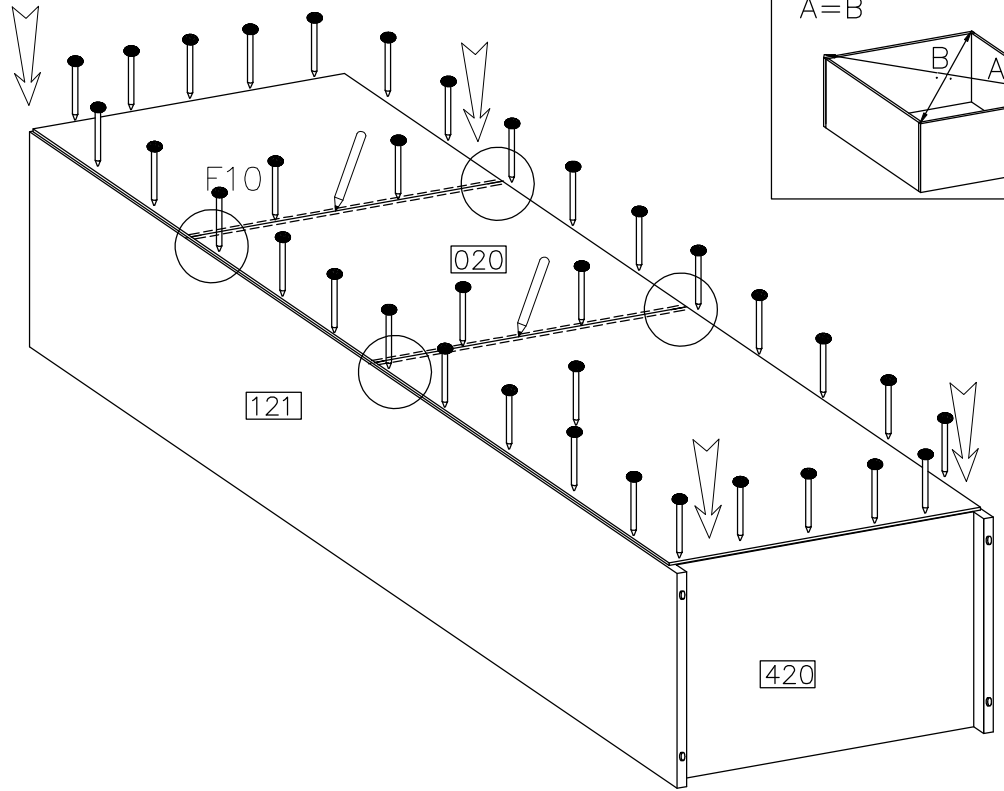
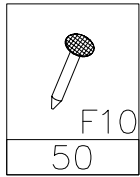
 D1 16	3.5x13mm  P2 8
 F9 4	 H=0 H4 4
 L-350 PR 2KPL	 J4 12



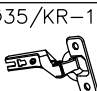
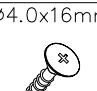

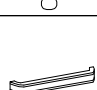
3

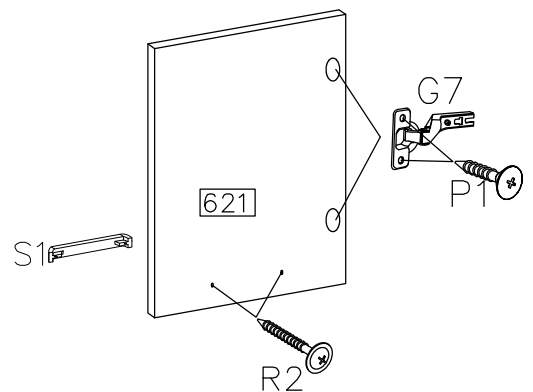
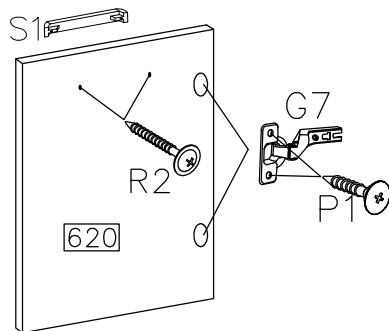


4



5

 G7	 P1
4	8
 R2	 S1
4	2





6

∅8x30mm



A

16



011

7



F10

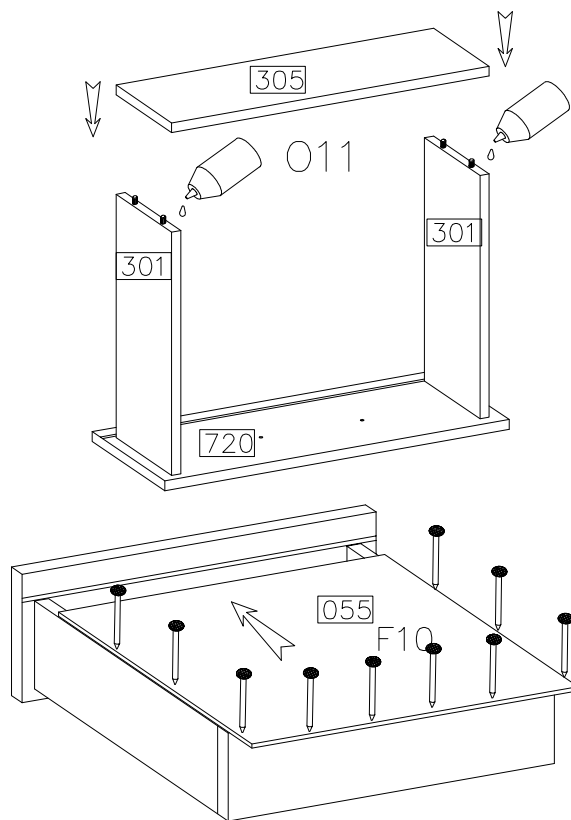
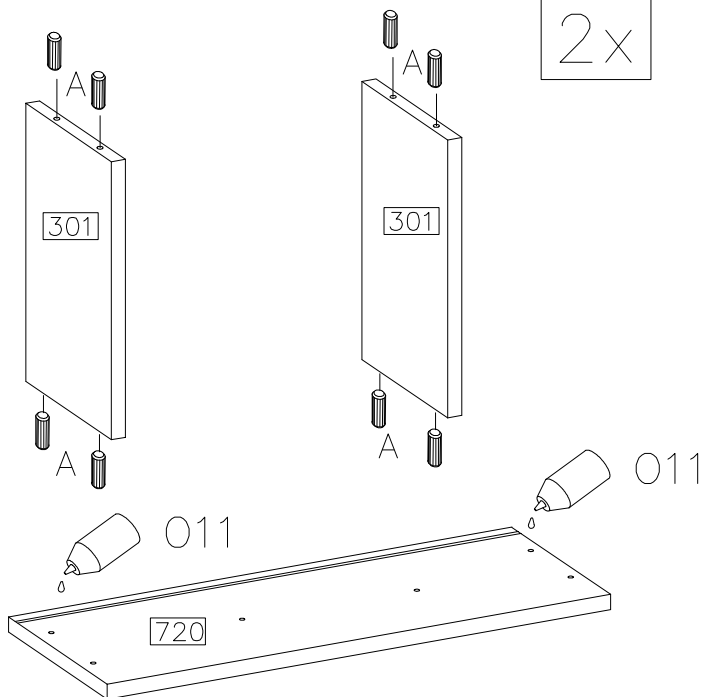
20



011

2x

2x



8

4.0x27mm



R2

4



S1

2

2x

9

L-350



PR

2KPL

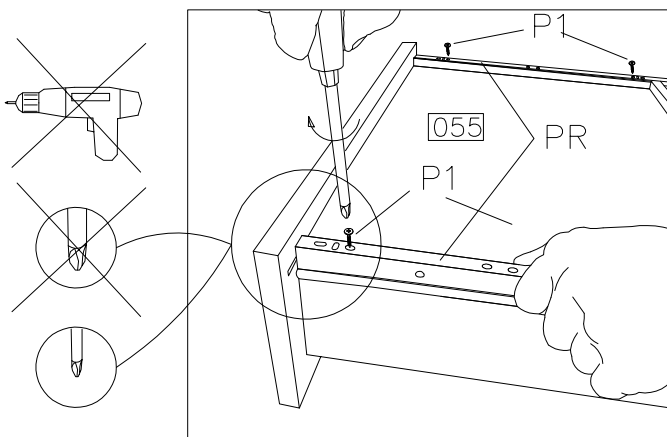
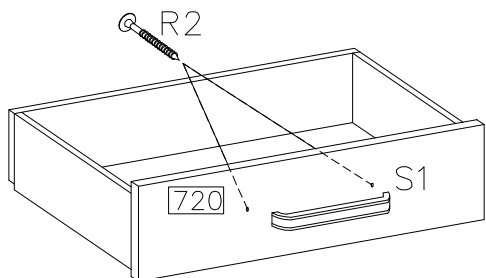
∅4.0x16mm

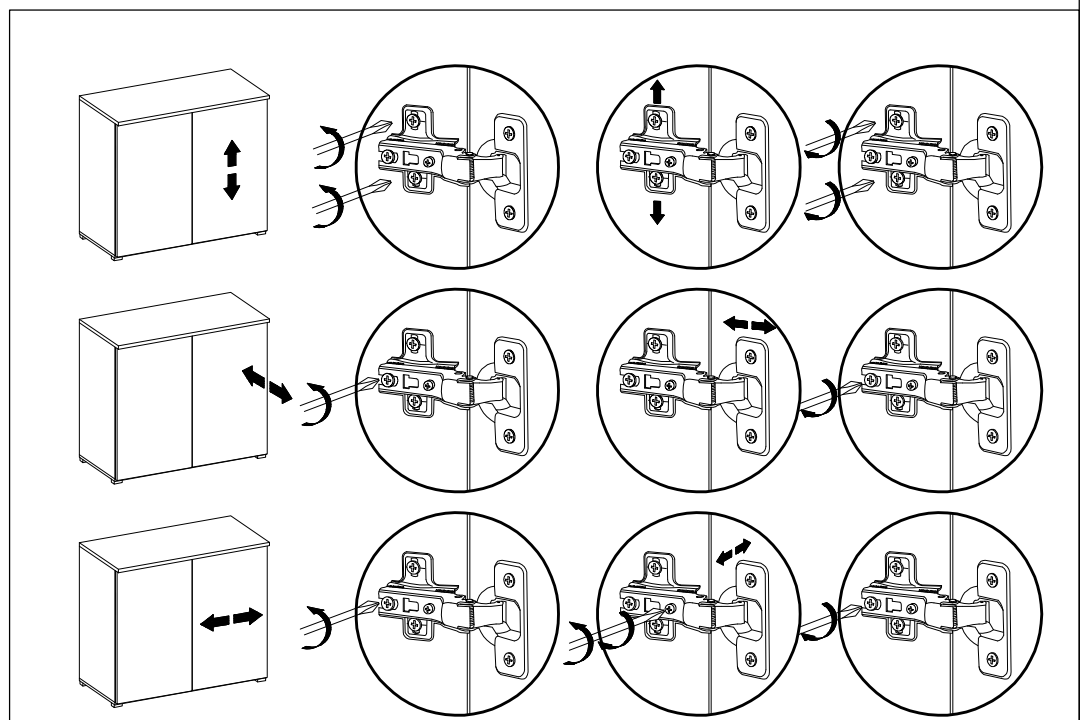
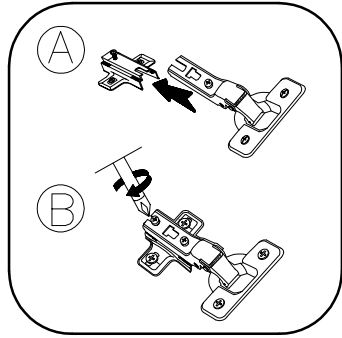
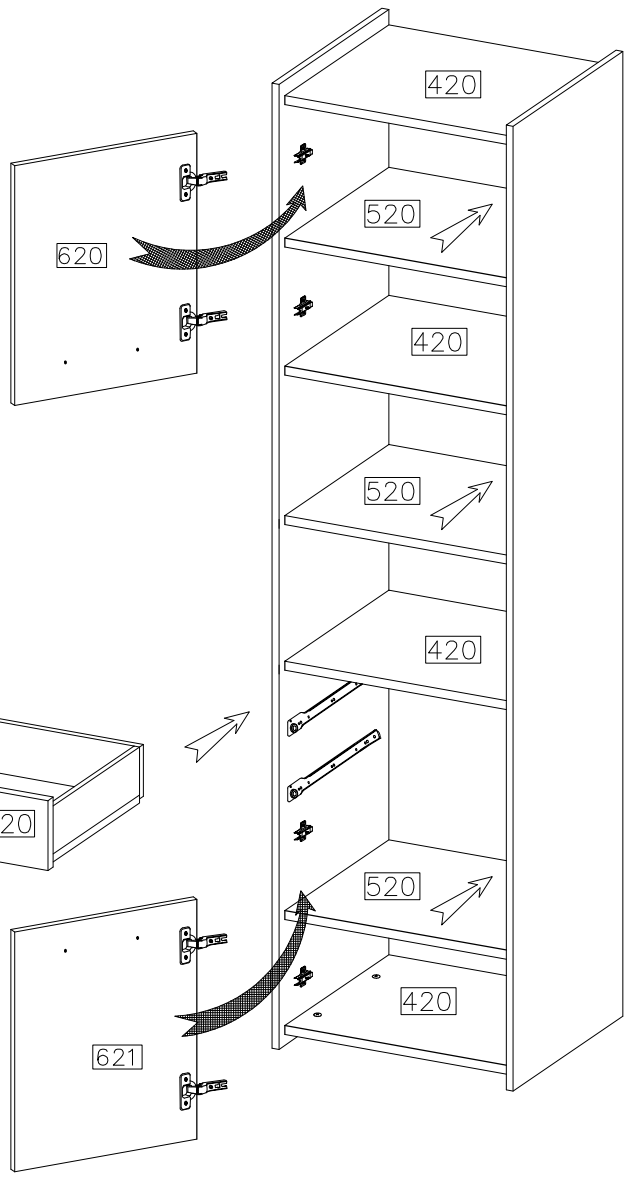
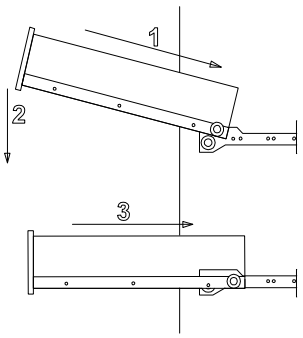


P1

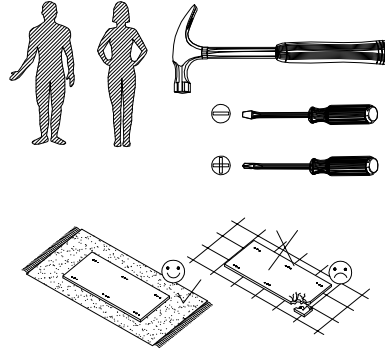
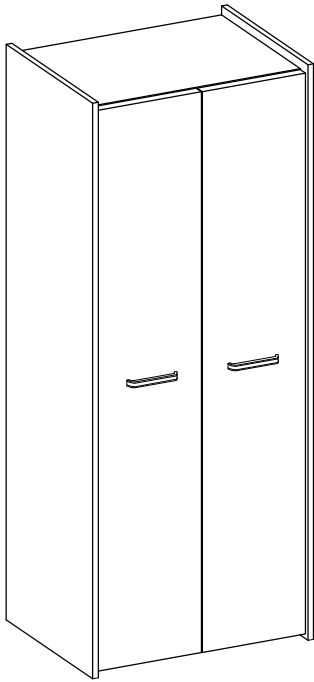
8

2x

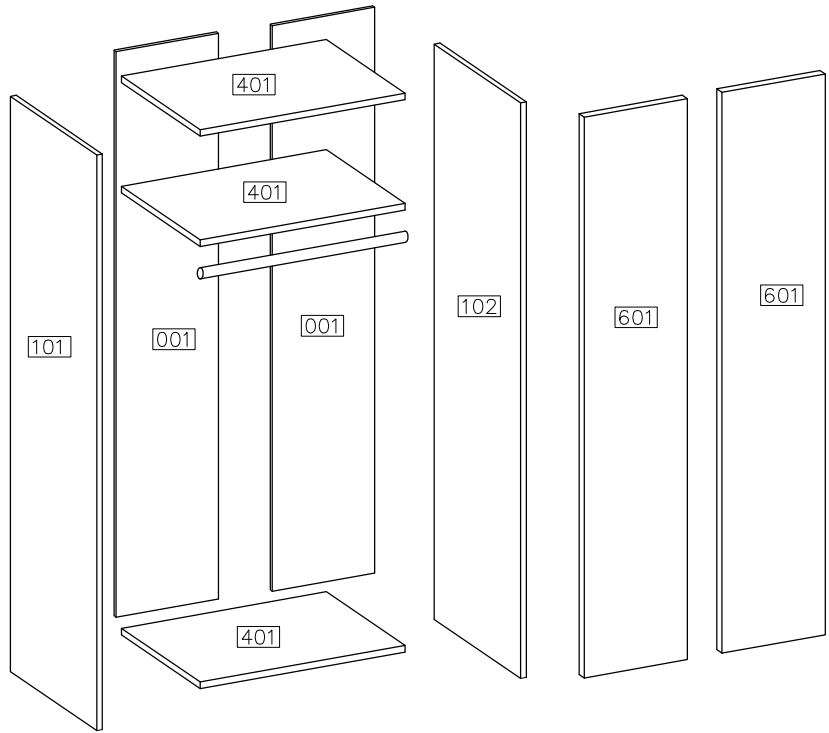
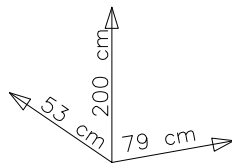




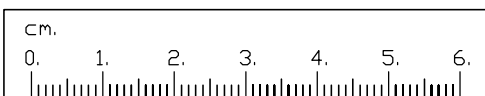
# MOKKA II SZAFA




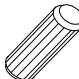
#	ART. NR	QUANTITY
1	401	3
2	101	1
3	102	1
4	001	2
5	601	2

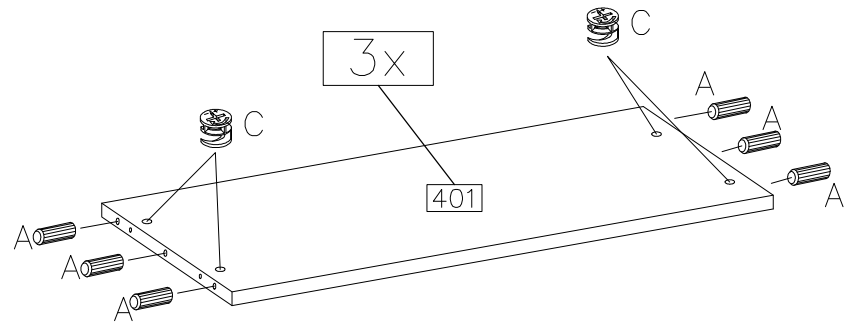
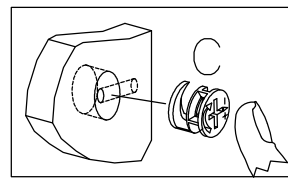


 A 18	 D1 12	 C 12	 E 12	 F9 4	 H=0 H4 6	 G7 6	 P1 12
 F10 50	 Z1 1	 4.0x27mm R2 4	 S1 2	 O10 2	 3.5x13mm P2 4	 O12 1	








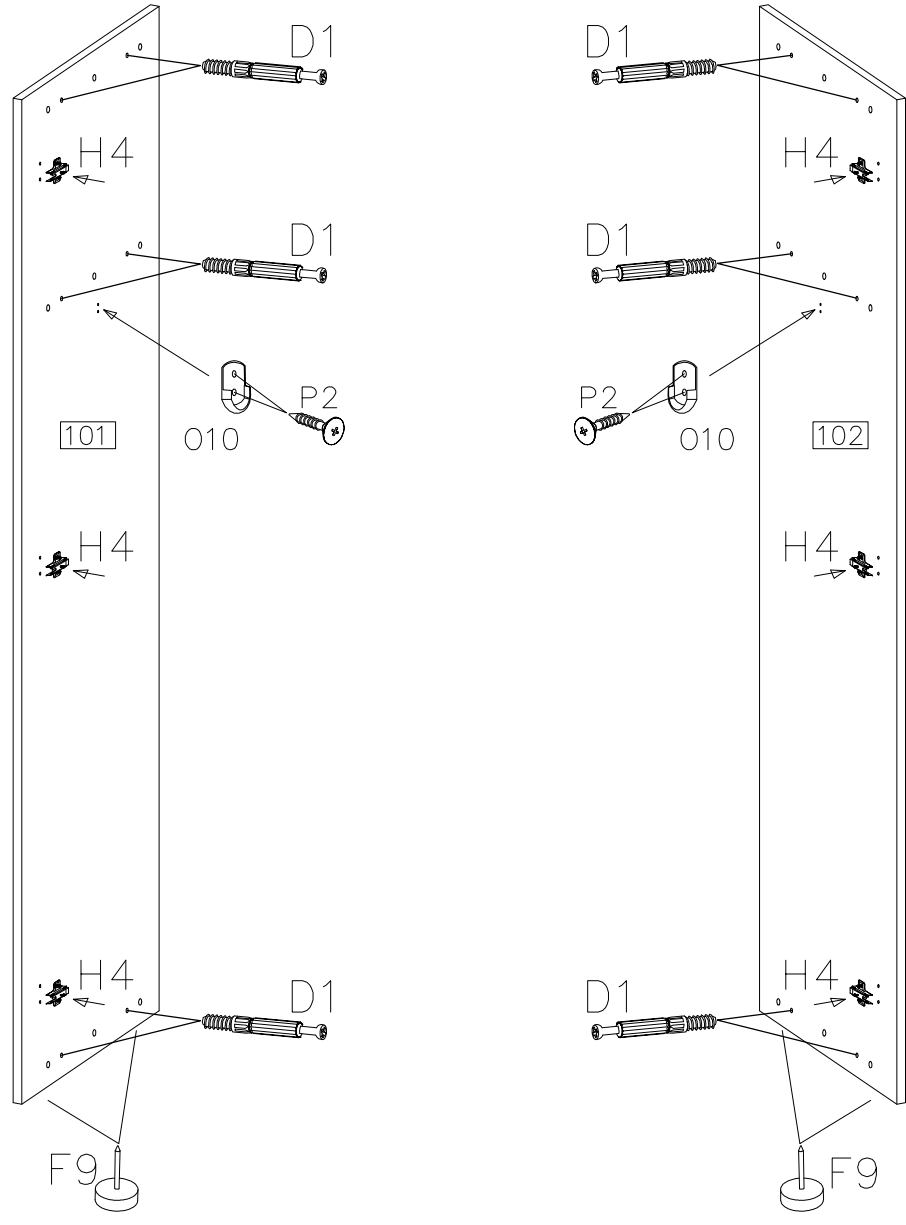
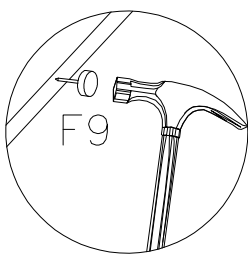
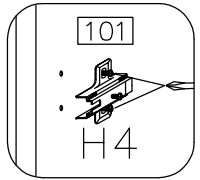
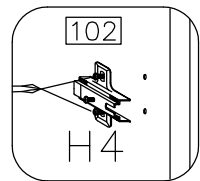
1

 C	 A
12	18

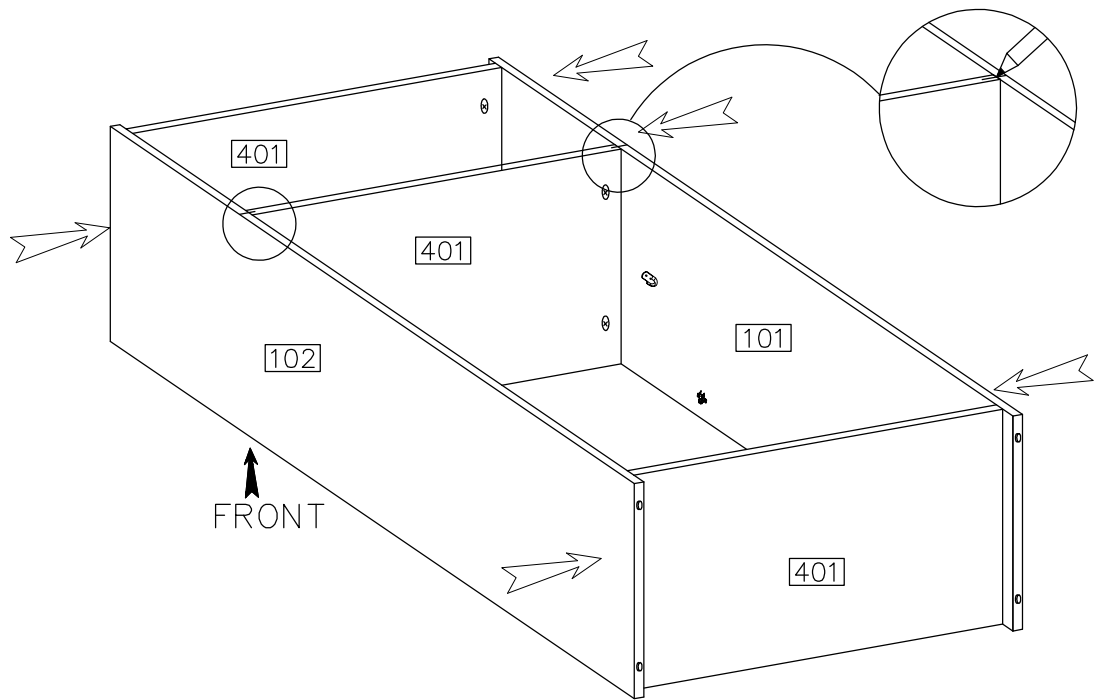
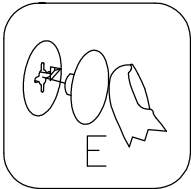
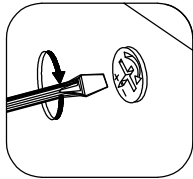
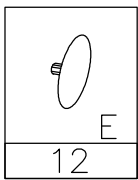


2

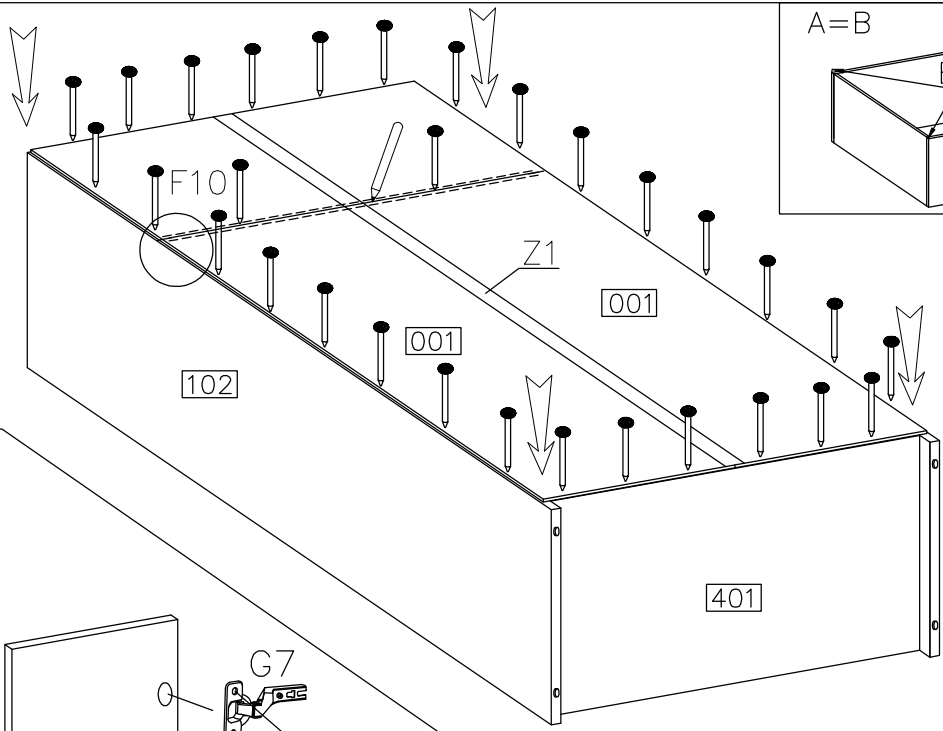
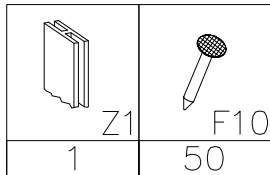
 D1	3.5x13mm  P2
12	4
 F9	 H4
4	6
 O10	
2	



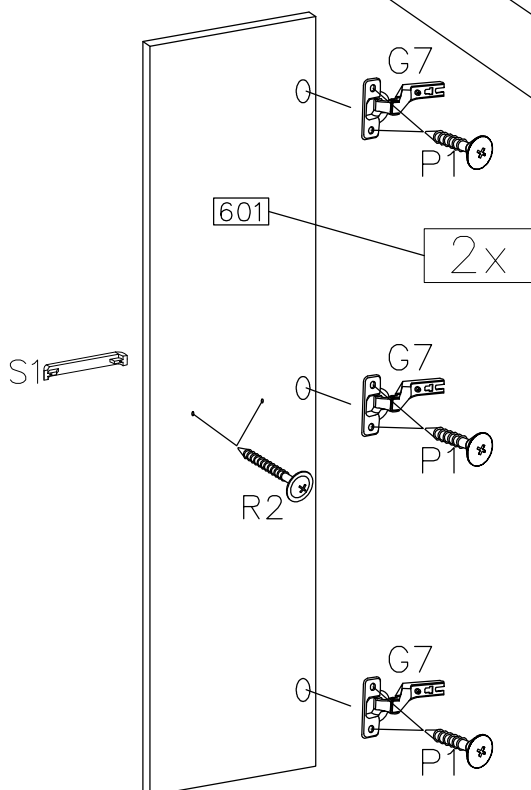
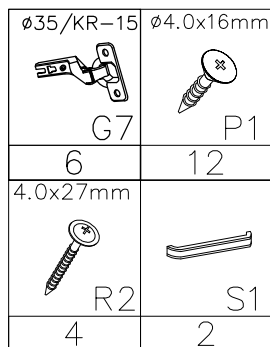
3



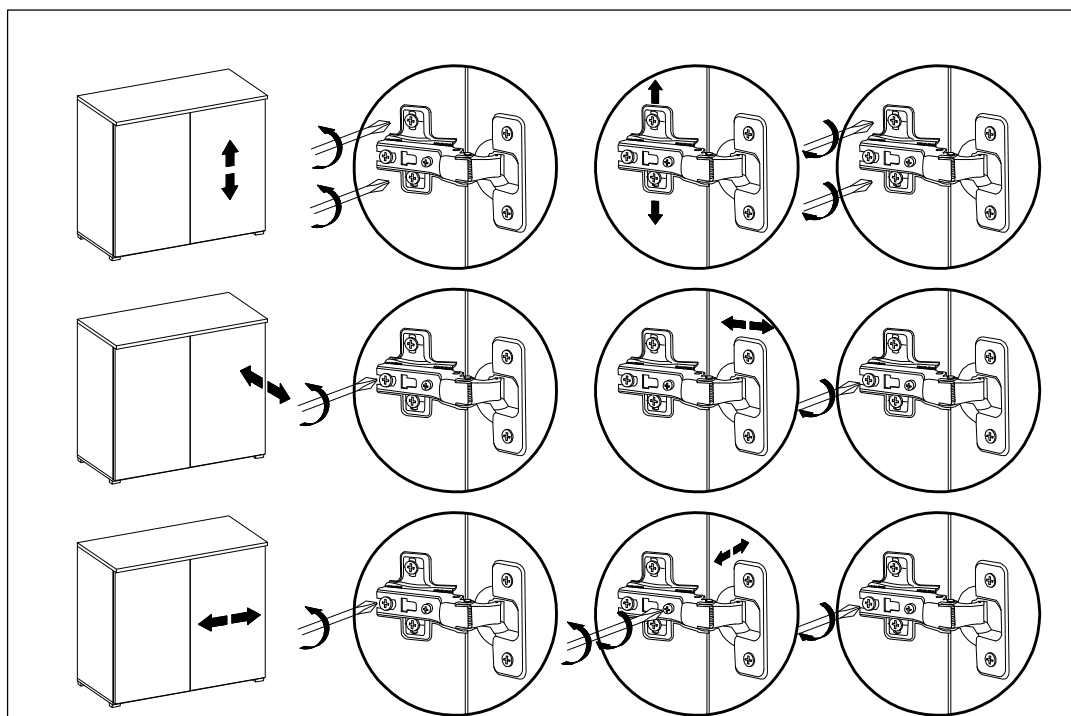
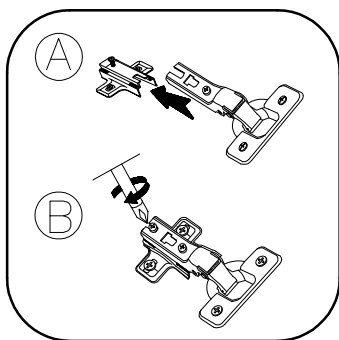
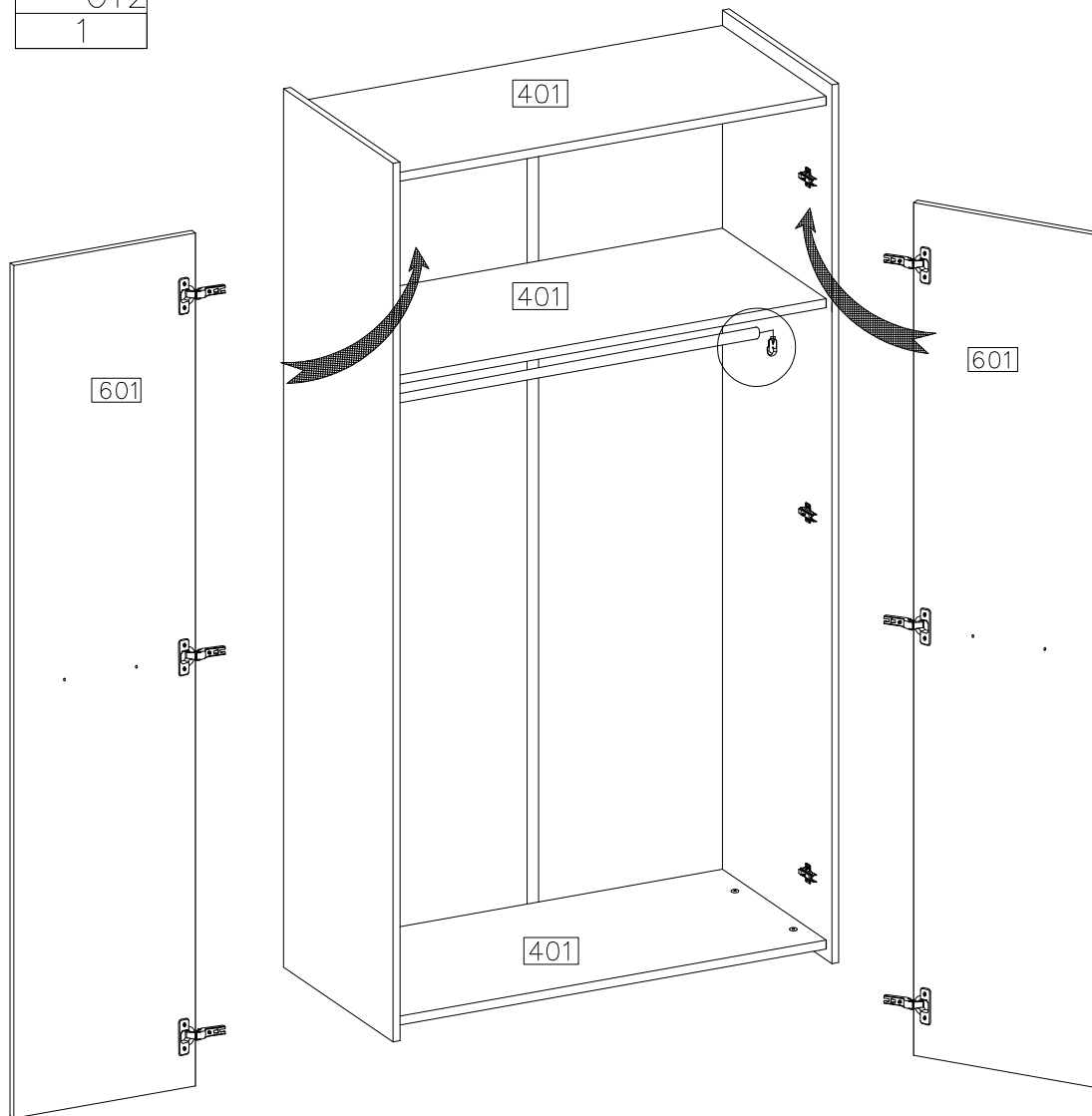
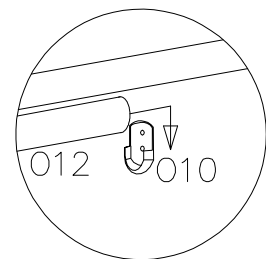
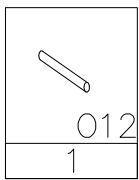
4



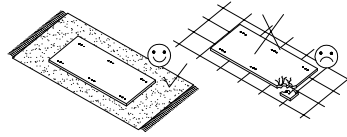
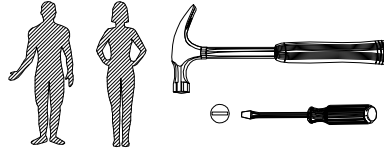
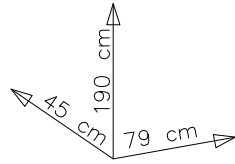
5



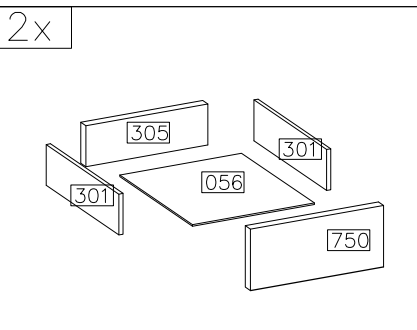
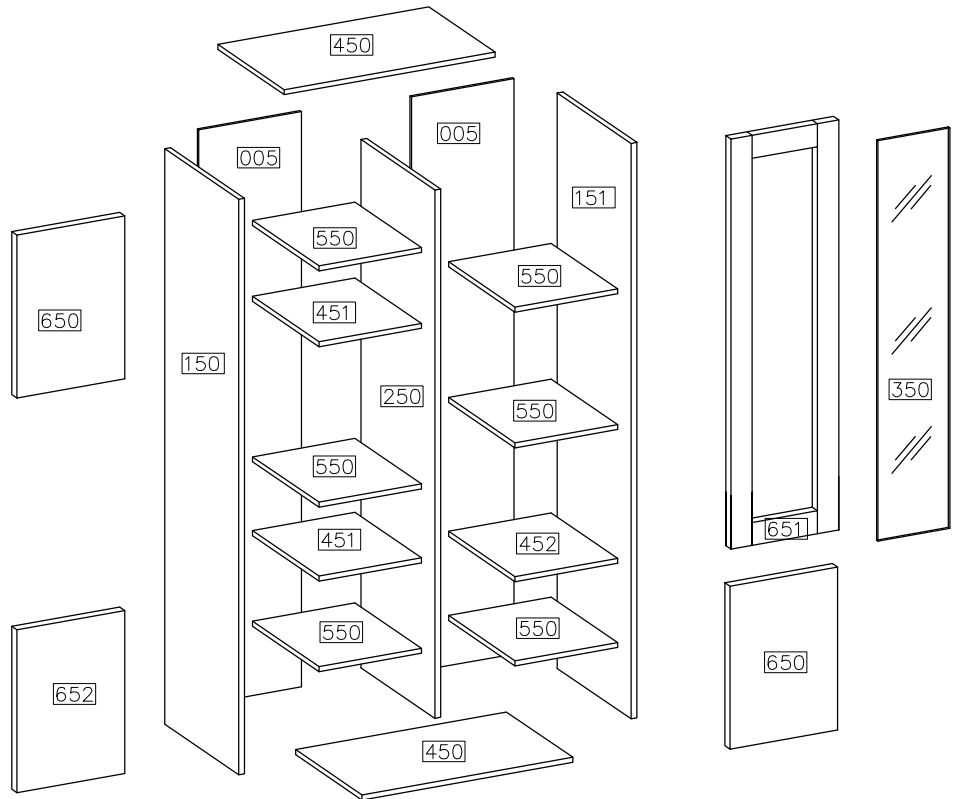
6



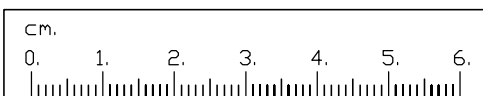
# MOKKA II WITRYNA




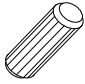

#	ART. NR	QUANTITY
1	450	2
2	451	2
3	452	1
4	150	1
5	151	1
6	250	1
7	550	6
8	005	2
9	750	2
10	301	4
11	305	2
12	050	2
13	650	2
14	651	1
15	652	1
16	350	1

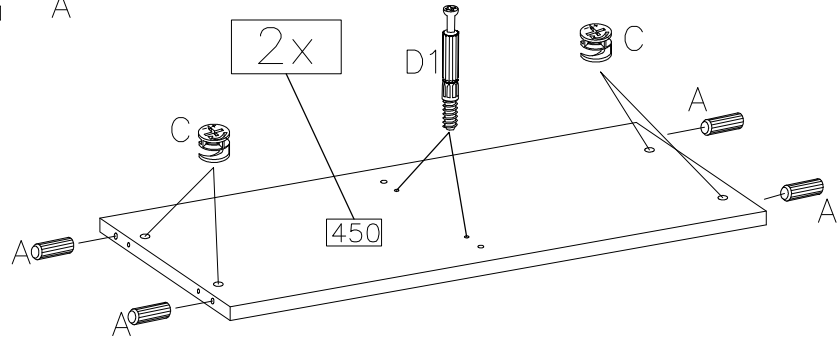
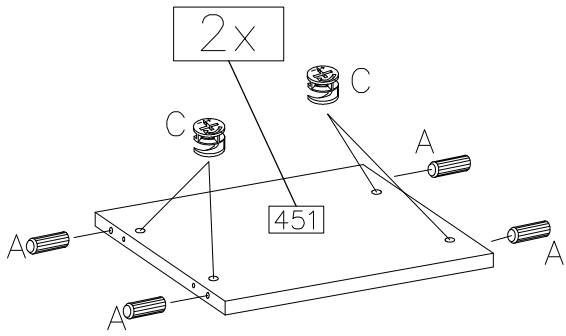
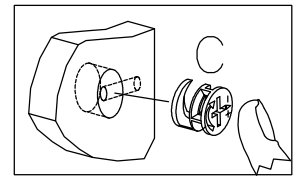
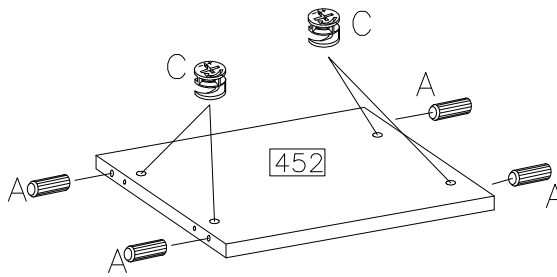


<p>∅8x30mm</p> <p>A</p> <p>40</p>	<p>D1</p> <p>24</p>	<p>∅15/12mm</p> <p>C</p> <p>24</p>	<p>E</p> <p>24</p>	<p>F9</p> <p>4</p>	<p>H=0</p> <p>H4</p> <p>9</p>	<p>∅35/KR-15</p> <p>G7</p> <p>9</p>	<p>∅4.0x16mm</p> <p>P1</p> <p>32</p>	
<p>F10</p> <p>60</p>	<p>J4</p> <p>24</p>	<p>4.0x27mm</p> <p>R2</p> <p>12</p>	<p>S1</p> <p>6</p>	<p>3.5x13mm</p> <p>P2</p> <p>8</p>	<p>L-350</p> <p>PR</p> <p>2KPL</p>	<p>O11</p> <p>2</p>	<p>U</p> <p>6</p>	<p>F8</p> <p>10</p>




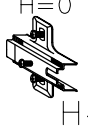




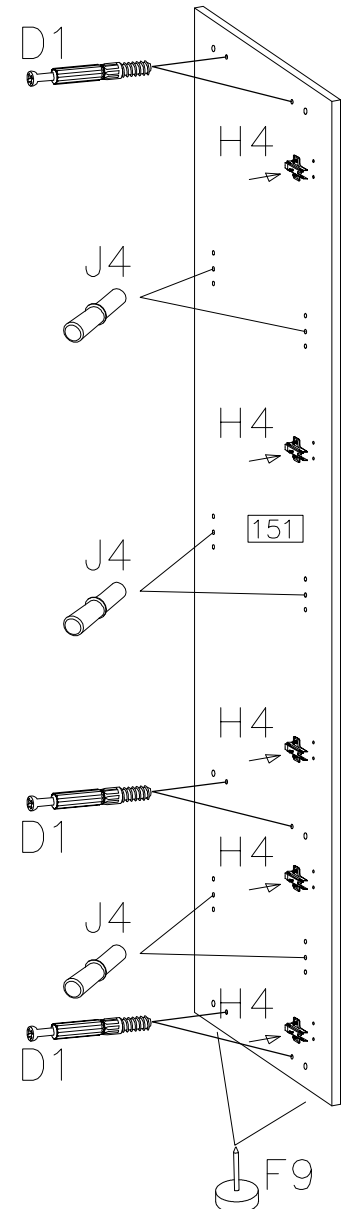
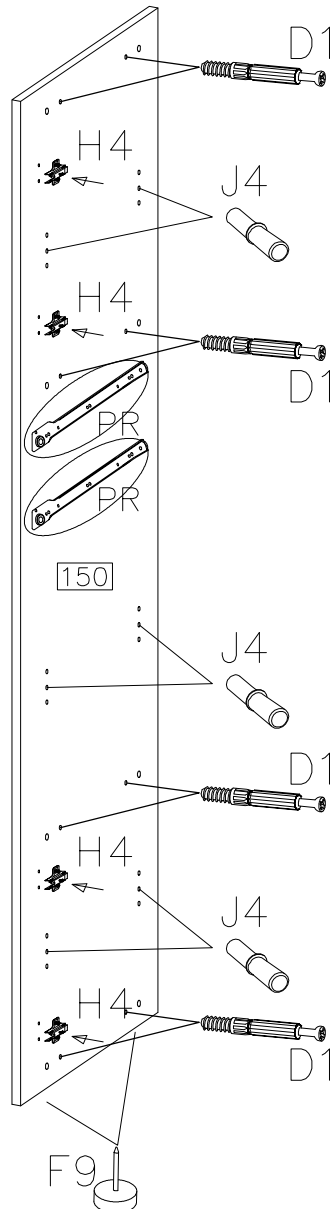
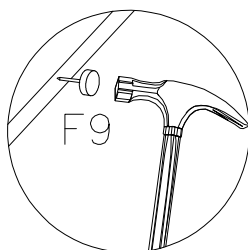
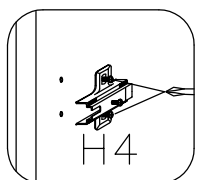
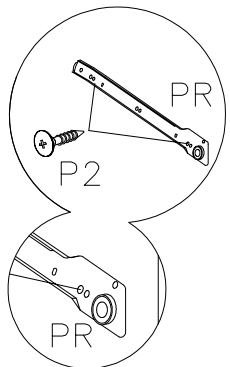
1

 C 20	 A 20	 D1 4
---	---	---





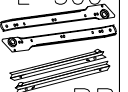


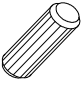
2

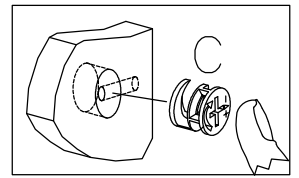
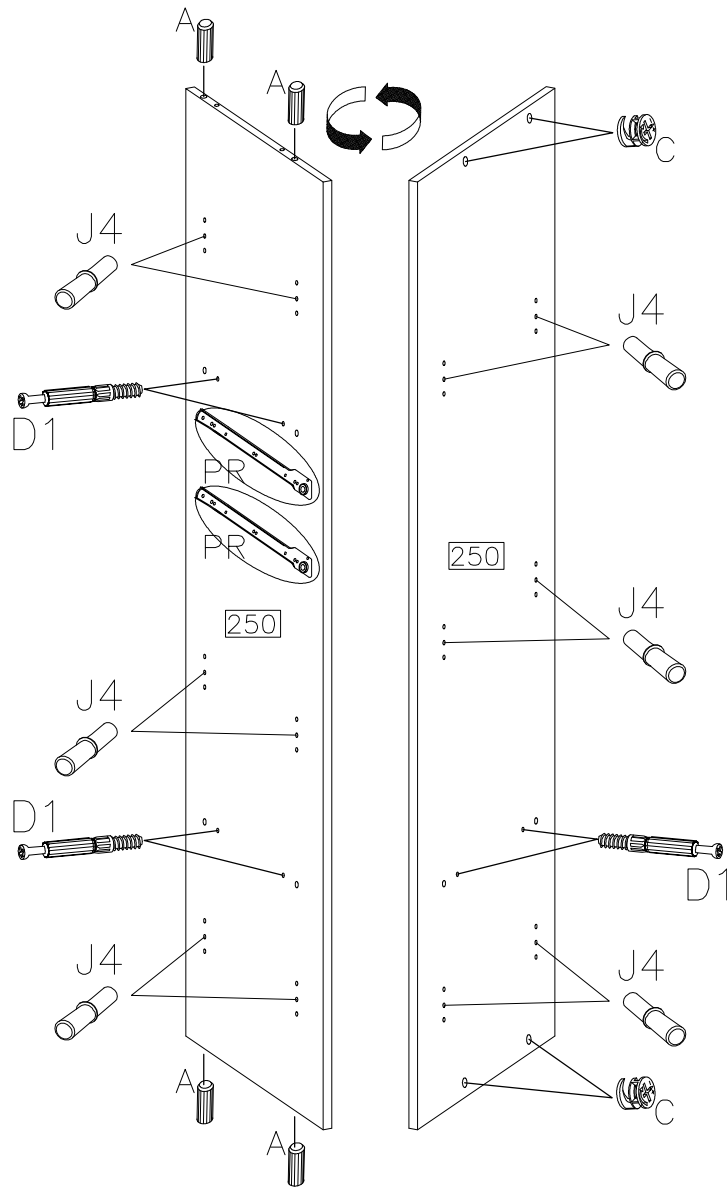
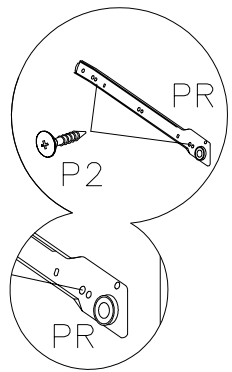
 D1 14	 P2 4
 F9 4	 H4 9
 PR 2KPL	 J4 12






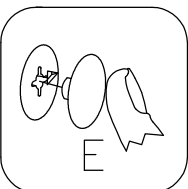
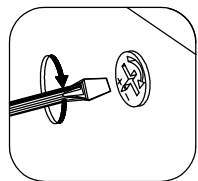
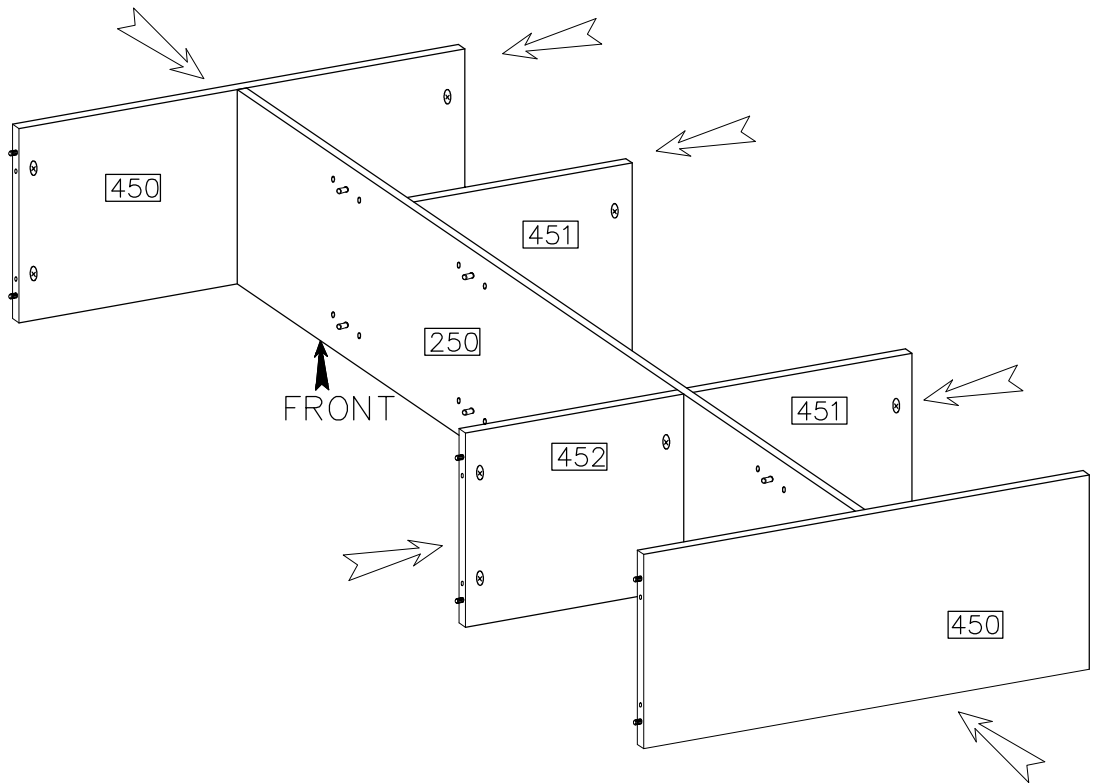
3

 D1	3.5x13mm
6	 P2
 PR	 J4
2KPL	12
 C	 A
4	4

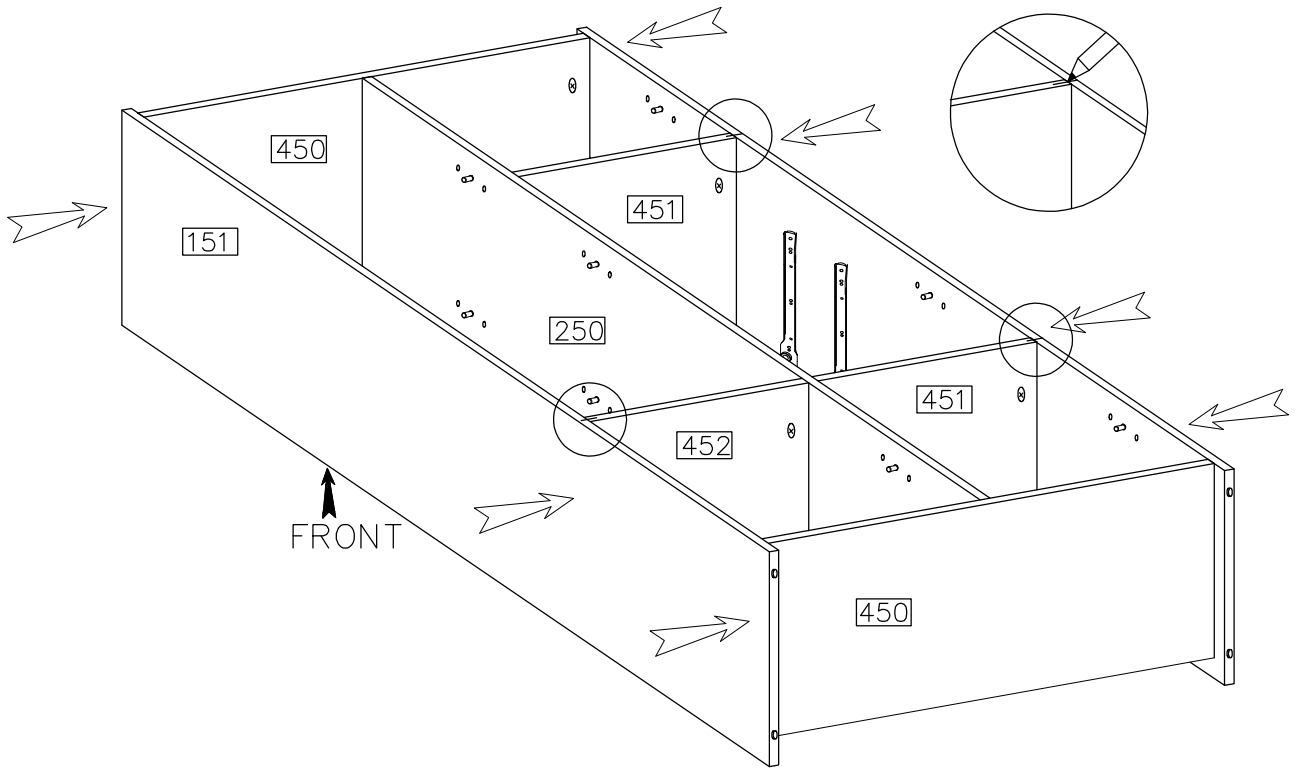
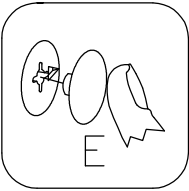
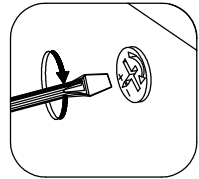
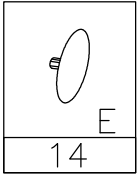


4

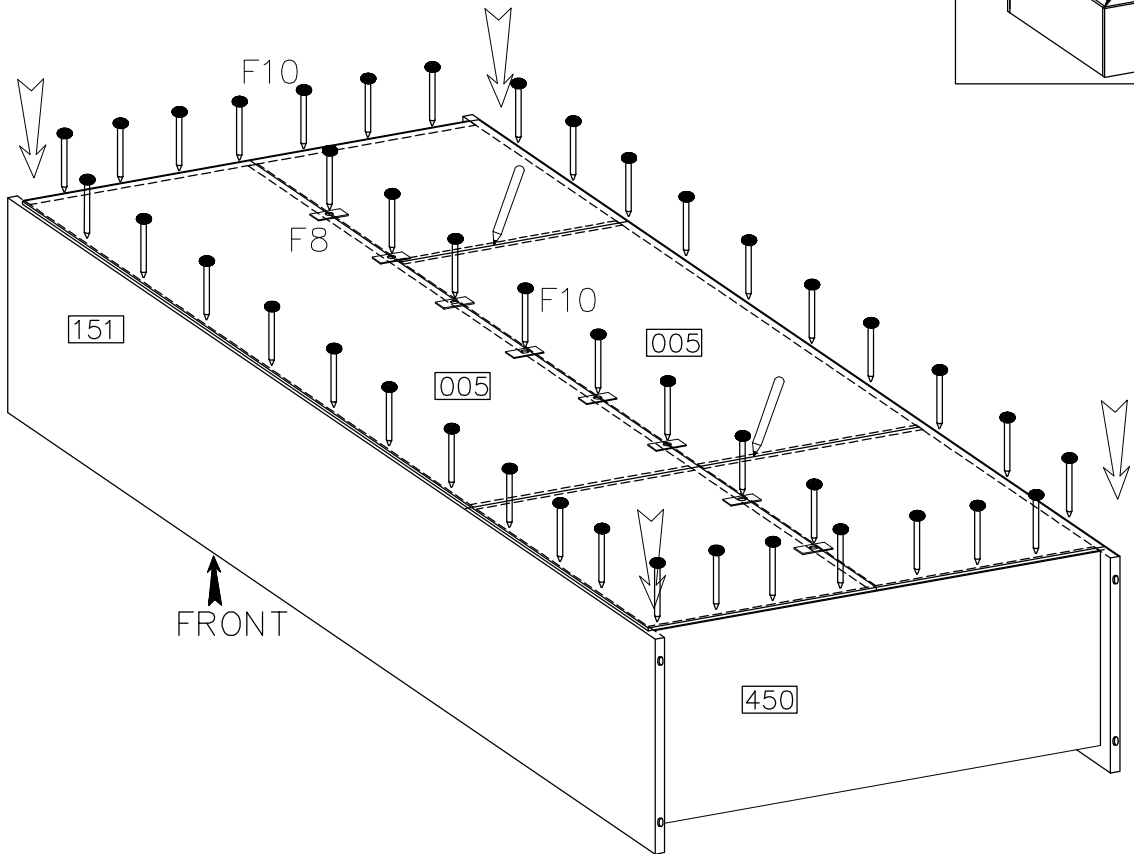
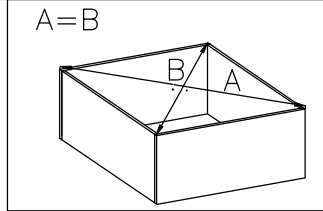
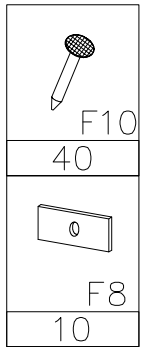
 E
10



5



6



7

∅8x30mm



A

16

011

8



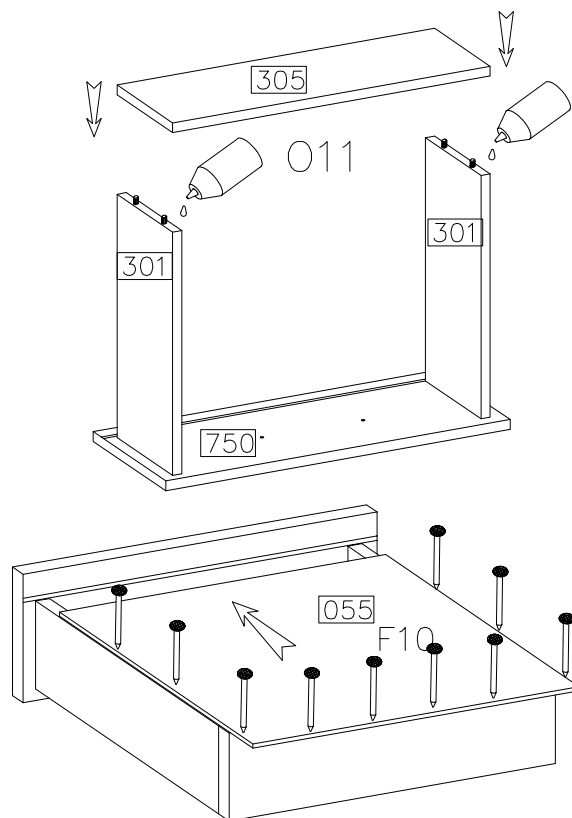
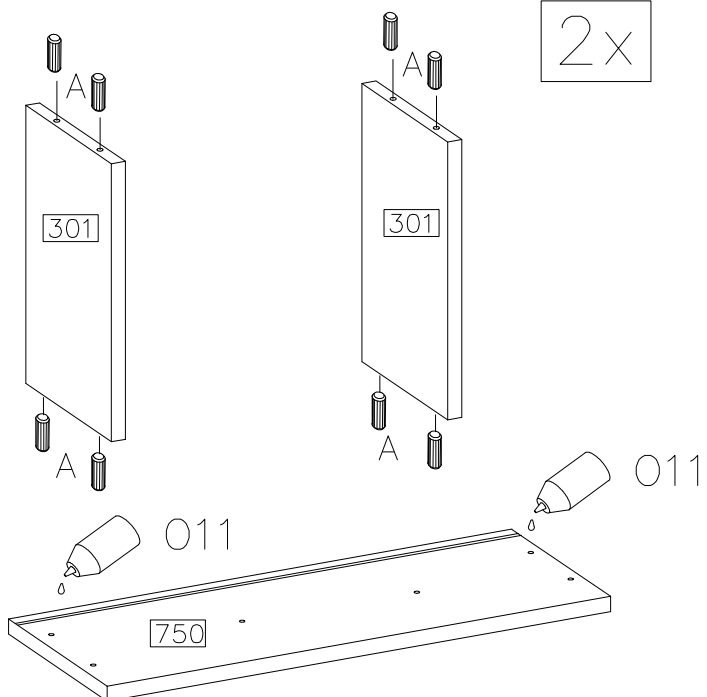
F10

20

011

2x

2x



9

4.0x27mm



R2

4



S1

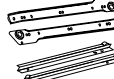
2

2x

10

L-350

∅4.0x16mm



PR

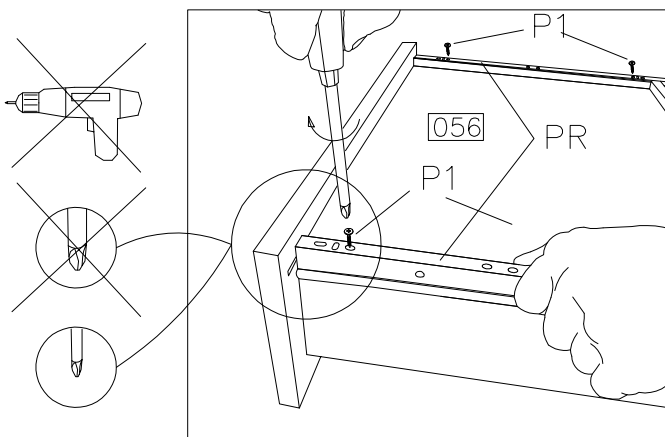
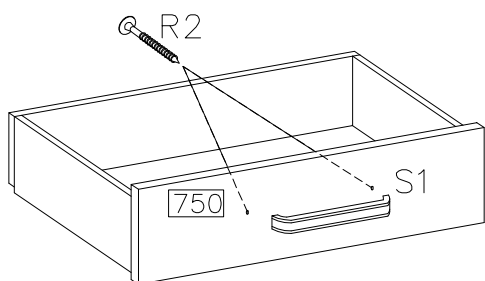
2KPL



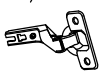



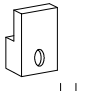
P1

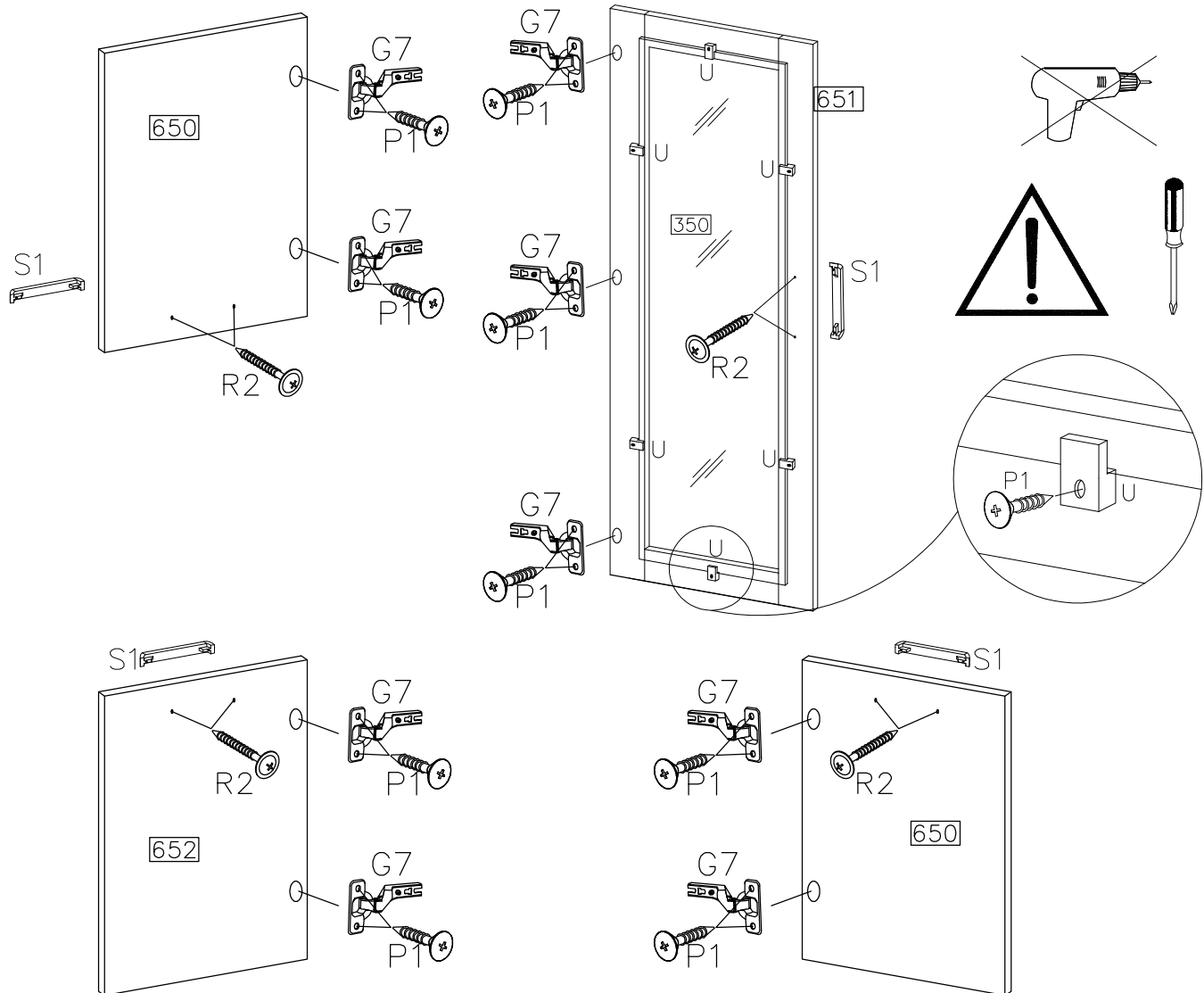
8

2x



11

- ø35/KR-15
-  G7
- 9
- ø4.0x16mm
-  P1
- 24
- 4.0x27mm
-  R2
- 8
-  S1
- 4
-  U
- 6



12

